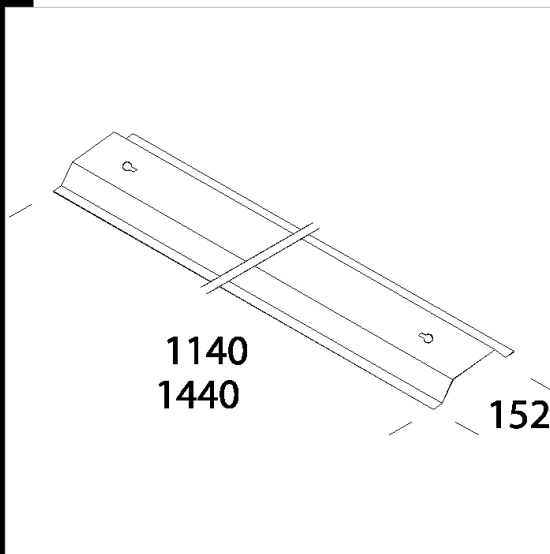


943 Riflettore Diffondente

Riflettore diffondente in alluminio lucido 99.85



Code	Kg	Lumen-K-CRI	WTot
998112-00	0,33	FL 2x36/54---	0 W
998113-00	0,32	FL 2x58/49---	0 W

Prodotti



- 999 Forma T8 - acciaio



- 994 Forma T8 - acciaio+vetro



- 999 Forma T5 - acciaio



- 994 Forma T5 - acciaio+vetro

The reported luminous flux is the flux emitted by the light source with a tolerance of  $\pm 10\%$  compared to the indicated value. The W tot column indicates the total wattage absorbed by the system without exceeding 10% of the indicated