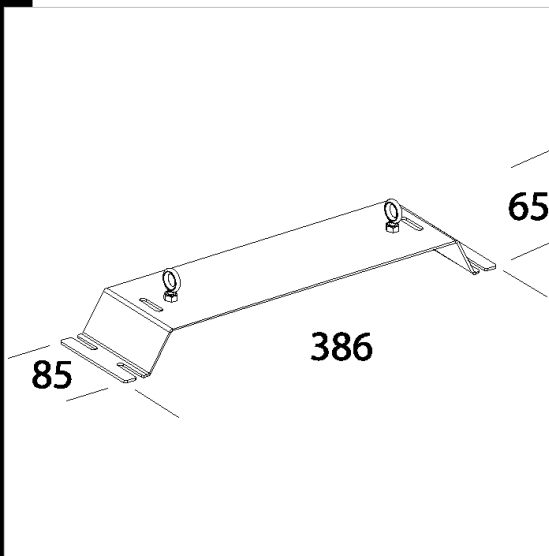
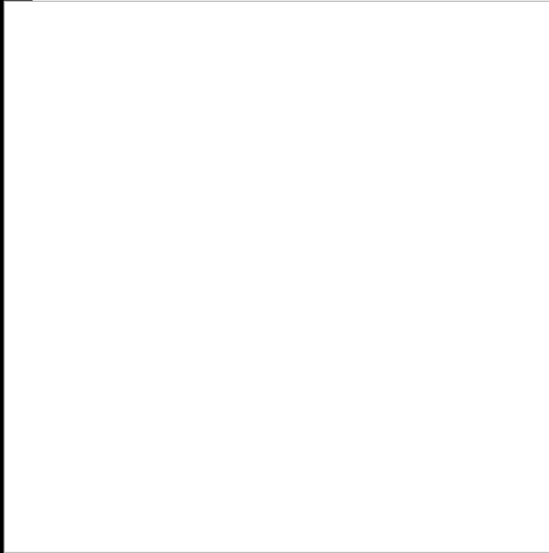


534 Staffa - Modoled

Download

DXF 2D  
- 534.dxf



Code	Kg	WTot	Colour
998101-00	1,14	0 W	INOX

Prodotti



- 3250 Modoled LED

The reported luminous flux is the flux emitted by the light source with a tolerance of  $\pm 10\%$  compared to the indicated value. The W tot column indicates the total wattage absorbed by the system without exceeding 10% of the indicated