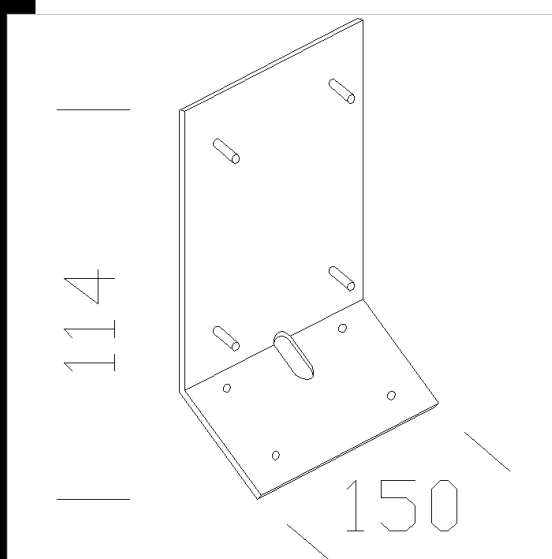
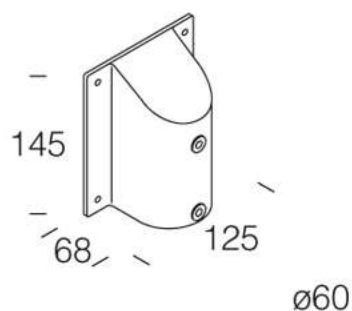


89 Attacco palo ø60

In alluminio pressofuso verniciato per cataforesi con finitura bugnata.
Adattore per il fissaggio su palo Ø 60.

Download

DXF 2D
- acc_85_lord.dxf



Code	Kg	WTot	Colour
991214-00	0,00	0 W	GRAFITE

Pali



- 5 Palo in vetroresina

Prodotti



- 1560 Lord - Con Griglia



- 1560 Lord Asimmetrico- Con Griglia



- 1757 Lord - LED Bulb

The reported luminous flux is the flux emitted by the light source with a tolerance of ± 10% compared to the indicated value. The W tot column indicates the total wattage absorbed by the system without exceeding 10% of the indicated