



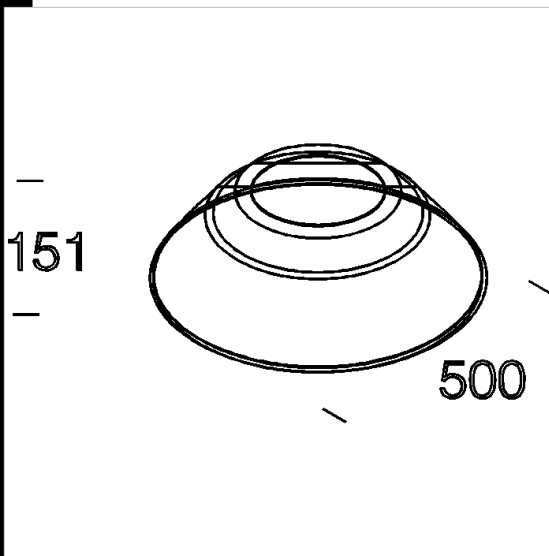
Download

- DXF 2D
- d1322.dxf
- 3DS
- 1322_gonnella.3ds
- 3DM
- 1322_gonnella.3dm



1322 Gonnella

In lastra di alluminio, verniciatura bianca interna e grafite esterna.
 Da applicare tra le base e il diffusore.
 Adatta per globi: art. 1300 Ø380 - 1301 Ø320/380.



Code	Kg	WTot	Colour
426202-00	0,49	0 W	GRAFITE

Prodotti



- 1320 Base grande



- 1300 OP



- 1313 Base alluminio -



- 1313 Base alluminio -



- 1300 TR

The reported luminous flux is the flux emitted by the light source with a tolerance of ± 10% compared to the indicated value. The W tot column indicates the total wattage absorbed by the system without exceeding 10% of the indicated