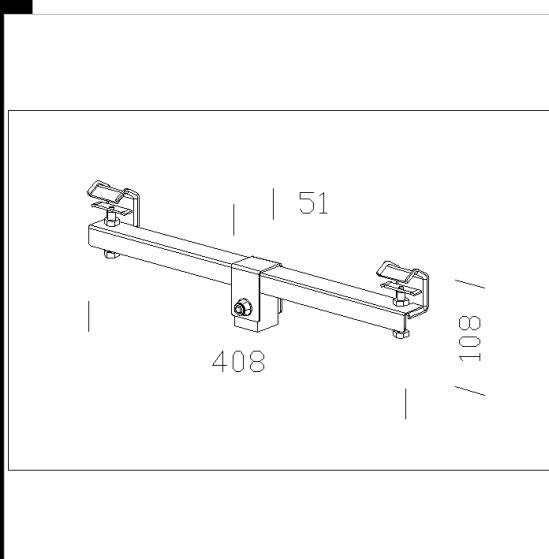
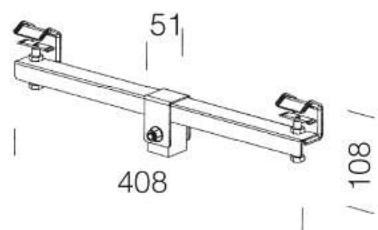


160 attacco a sospensione

In acciaio inox. Per l'applicazione su funi, cavi in acciaio.

Download

DXF 2D
- 160.dxf



| Code | Kg | WTot | Colour |
|-----------|------|------|--------|
| 998090-00 | 0,06 | 0 W | INOX |

Prodotti



The reported luminous flux is the flux emitted by the light source with a tolerance of $\pm 10\%$ compared to the indicated value. The W tot column indicates the total wattage absorbed by the system without exceeding 10% of the indicated