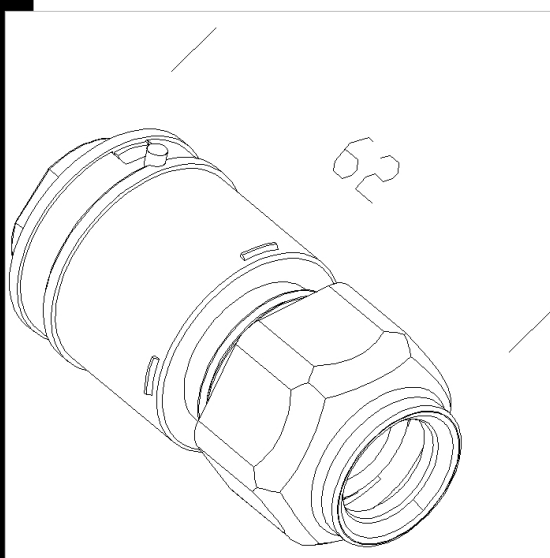


### 371 spina per innesto rapido

Utilizzare sempre per fila continua con cavo o con tubo, aggiungendo l'accessorio 370. Pressacavo con cavo d'ingresso min diametro 9 max diam 12.

**Download**

DXF 2D  
- 371.dxf



Code	Kg	WTot	Colour
998041-00	0,04	0 W	GRIGIO

**Prodotti**

 - 921 Hydro T8 EL	 - 959 Hydro - connettore spina	 - 921 Hydro T5	 - 927 Echo - monolampada LED
 - 957 Echo - monolampada LED - High Performance	 - 927 Echo - bilampada LED - Energy Saving	 - 927 Echo - monolampada LED - Energy Saving	 - 927 Echo - bilampada LED - energy PLUS
 - 957 Echo - bilampada LED - High Performance	 - 961 Hydro LED - Money Saving	 - 962 Hydro LED - Energy Saving	 - 962 Hydro LED - Energy Saving FS
 - 962 Hydro LED - Energy Saving 3000/6500K	 - 927 Echo FS - bilampada LED - Energy Saving	 - 927 Echo 3000/6500K - modulo singolo LED - ES	 - 927 Echo 3000/6500K - modulo doppio LED - ES
 - 957 Echo FS - bilampada LED	 - 927 Echo - bilampada LED -	 - 960 Hydro T5 - connettore	

The reported luminous flux is the flux emitted by the light source with a tolerance of  $\pm 10\%$  compared to the indicated value. The W tot column indicates the total wattage absorbed by the system without exceeding 10% of the indicated