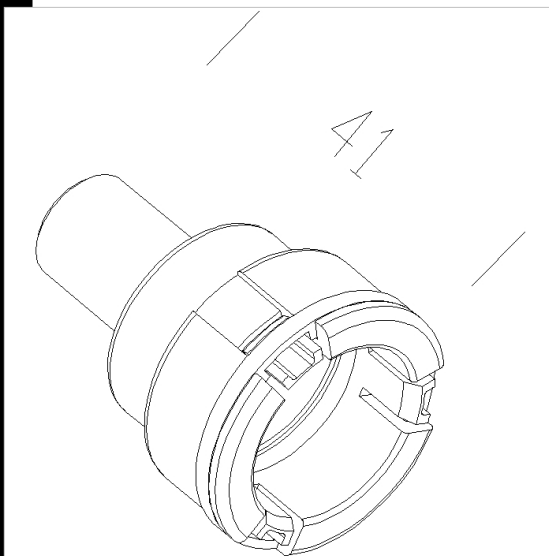


370 Innesto per tubo diam.20

Da utilizzare insieme all'accessorio 371-372 per l'installazione di tubo di protezione.

Download

DXF 2D  
- 370.dxf



Code	Kg	WTot	Colour
998040-00	0,04	0 W	GRIGIO

Prodotti



- 921 Hydro T8 EL



- 959 Hydro - connettore spina



- 921 Hydro T5



- 961 Hydro LED - Money



- 962 Hydro LED - Energy Saving



- 962 Hydro LED - Energy Saving FS



- 962 Hydro LED - Energy Saving 3000/6500K



- 960 Hydro T5 - connettore spina

The reported luminous flux is the flux emitted by the light source with a tolerance of  $\pm 10\%$  compared to the indicated value. The W tot column indicates the total wattage absorbed by the system without exceeding 10% of the indicated