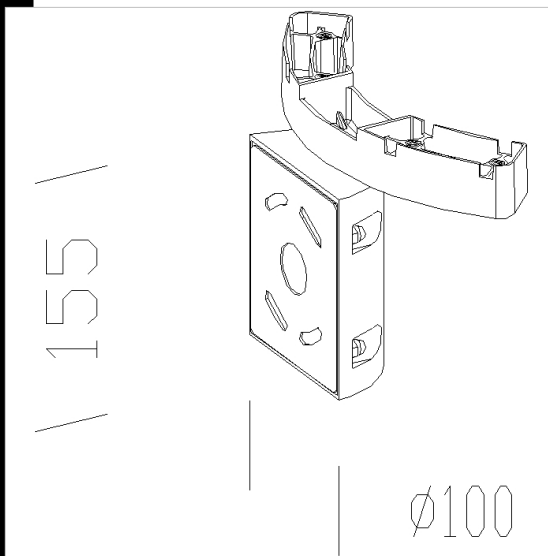
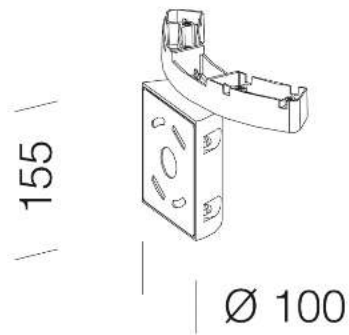


366 attacco a parete

In alluminio pressofuso, per l'installazione a parete.

Download

DXF 2D
- 366.dxf



Code	Kg	WTot	Colour
998024-00	0,75	0 W	GRAFITE

Prodotti



- 1779 Musa LED



- 1777 Musa LED ciclopedonale

The reported luminous flux is the flux emitted by the light source with a tolerance of $\pm 10\%$ compared to the indicated value. The W tot column indicates the total wattage absorbed by the system without exceeding 10% of the indicated