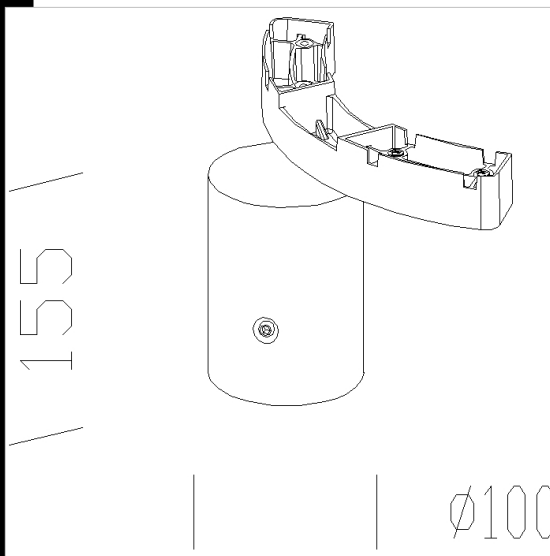
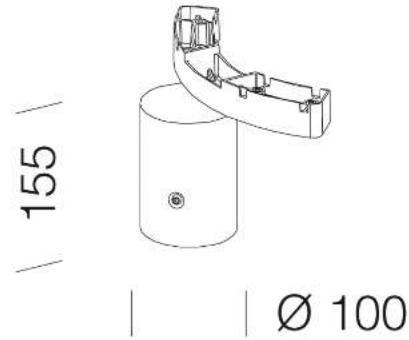


364 attacco palo mono

In alluminio pressofuso. per l'installazione su palo diametro 60 in versione monolampada.

Download

DXF 2D  
- 364.dxf



Code	Kg	WTot	Colour
998020-00	0,72	0 W	GRAFITE

Prodotti



- 1779 Musa LED



- 1777 Musa LED ciclopedonale

The reported luminous flux is the flux emitted by the light source with a tolerance of  $\pm 10\%$  compared to the indicated value. The W tot column indicates the total wattage absorbed by the system without exceeding 10% of the indicated