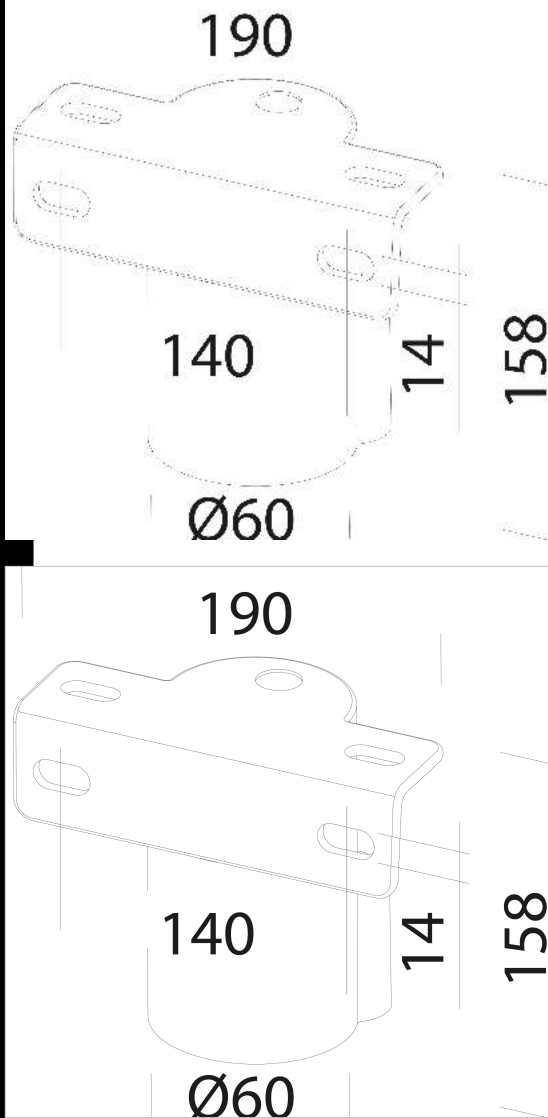


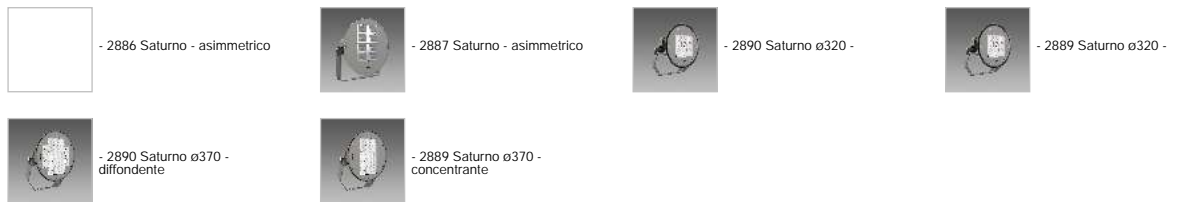
235 attacco palo 60mm

In alluminio. Consente l'installazione su palo \varnothing 60.



Code	Kg	WTot	Colour
997927-00	1,20	0 W	GRAFITE

Prodotti



Download
DXF 2D
- 235.dxf

The reported luminous flux is the flux emitted by the light source with a tolerance of \pm 10% compared to the indicated value. The W tot column indicates the total wattage absorbed by the system without exceeding 10% of the indicated