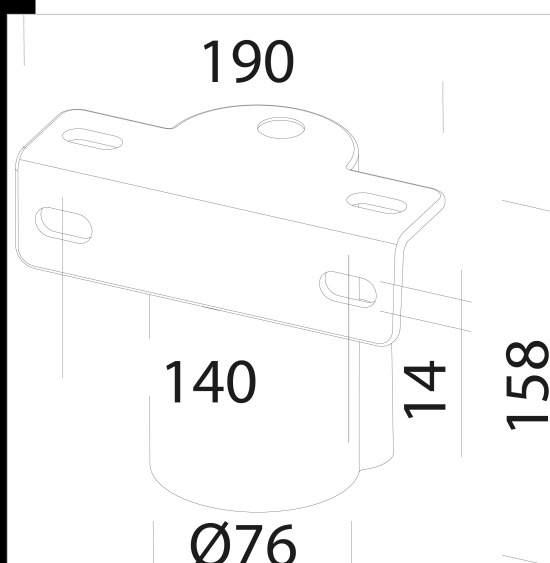
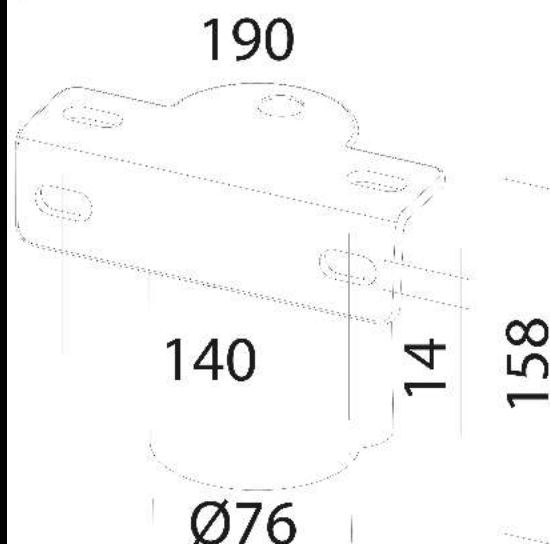


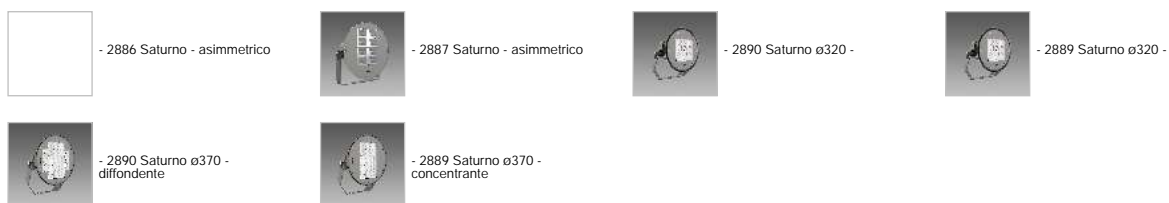
236 attacco palo 76mm

In alluminio. Consente l'installazione su palo  $\varnothing$  76.



Code	Kg	WTot	Colour
997926-00	0,98	0 W	GRAFITE

Prodotti



Download  
DXF 2D  
- 236.dxf

The reported luminous flux is the flux emitted by the light source with a tolerance of  $\pm$  10% compared to the indicated value. The W tot column indicates the total wattage absorbed by the system without exceeding 10% of the indicated