

333 Attacco palo diam.60

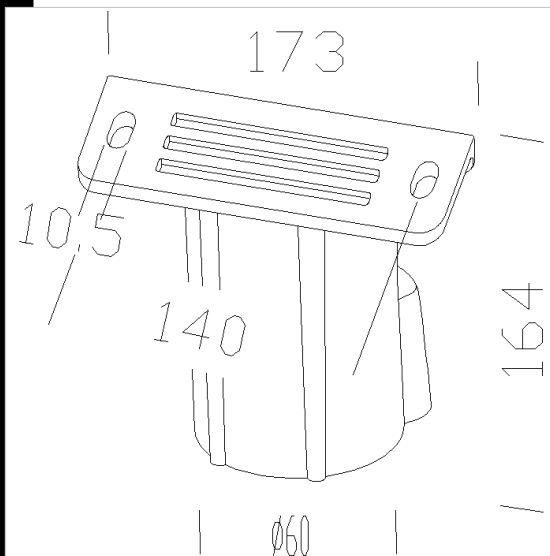
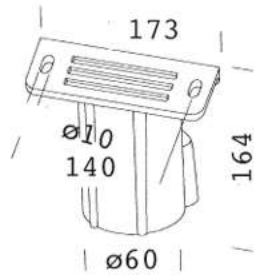
In alluminio. Consente l'installazione su palo da 60



3° IP
IK

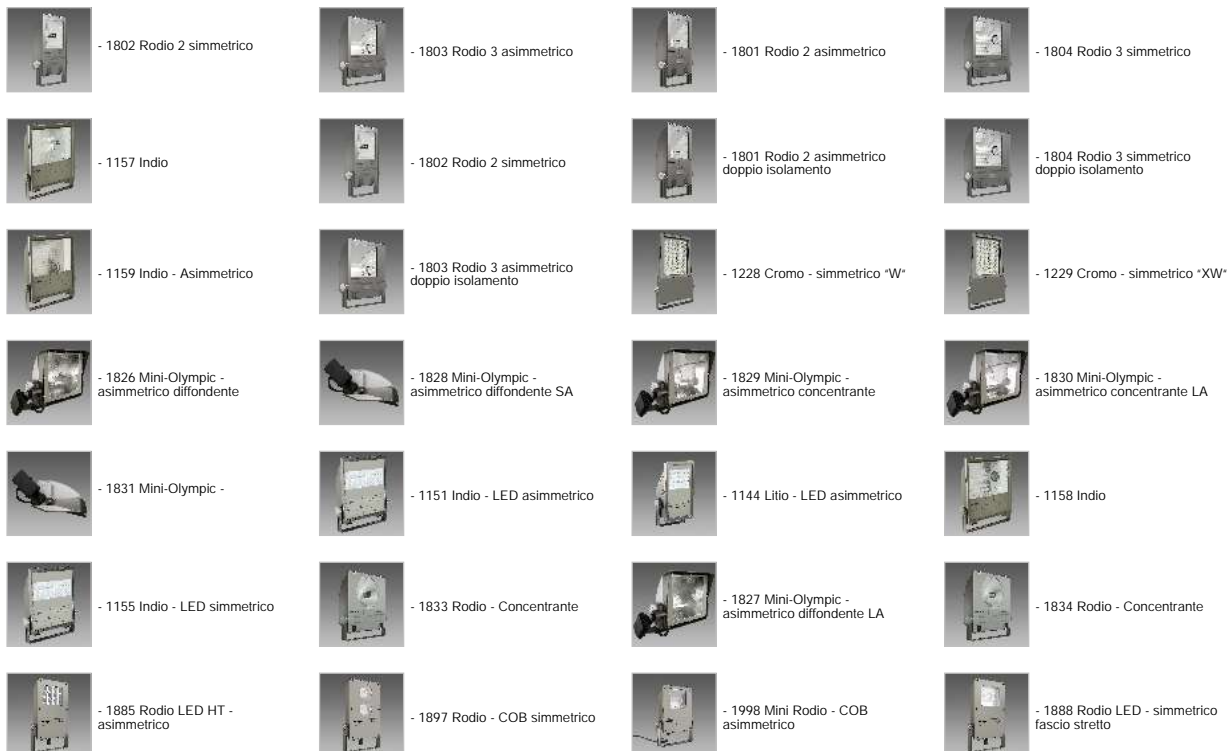
Download

DXF 2D
- 333.dxf



Code	Kg	WTot	Colour
997915-00	1,16	0 W	GRAFITE

Prodotti



The reported luminous flux is the flux emitted by the light source with a tolerance of $\pm 10\%$ compared to the indicated value. The W tot column indicates the total wattage absorbed by the system without exceeding 10% of the indicated

Prodotti



- 1891 Rodio LED - simmetrico
diffondente



- 1890 Rodio LED - simmetrico
fascio largo



- 1887 Rodio LED - asimmetrico



- 1889 Rodio LED HT -
simmetrico diffondente



- 1892 Rodio LED - ottica
stradale



- 1886 Rodio LED HT -
simmetrico fascio stretto



- 1893 Rodio LED - asimmetrico
45°



- 1894 Rodio LED - asimmetrico
60°



- 1898 Rodio - COB asimmetrico



- 1990 Mini Rodio - simmetrico
fascio largo



- 1999 Mini Rodio - COB
simmetrico



- 1988 Mini Rodio - simmetrico
fascio stretto



- 1991 Mini Rodio - simmetrico
diffondente



- 1987 Mini Rodio - asimmetrico



- 1224 Cromo - asimmetrico
fascio stretto



- 1225 Cromo - asimmetrico
fascio largo



- 1226 Cromo - simmetrico "MS"



- 1227 Cromo - simmetrico "M"

The reported luminous flux is the flux emitted by the light source with a tolerance of $\pm 10\%$ compared to the indicated value. The W tot column indicates the total wattage absorbed by the system without exceeding 10% of the indicated