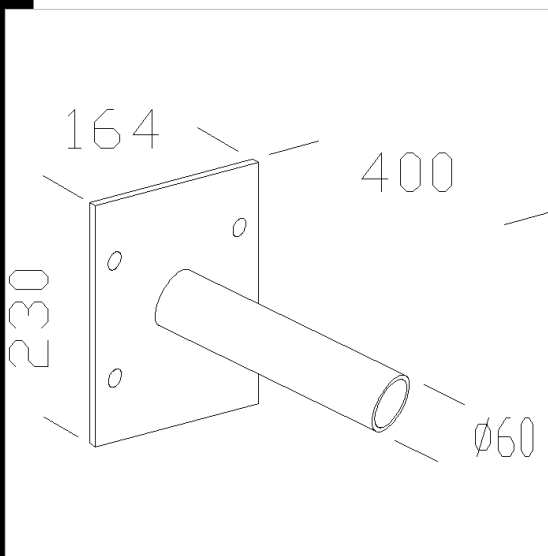
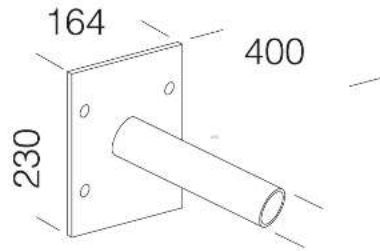


Download

DXF 2D  
- 248.dxf



Code	Kg	WTot	Colour
997708-00	1,30	0 W	GREY

Prodotti



- 1664 Ghisallo 1 - con vetro



- 1665 Ghisallo 2 - con coppa



- 3380 Susa ME - stradale



- 3381 Susa T3 - stradale



- 3382 Susa T2 - piste ciclabili

The reported luminous flux is the flux emitted by the light source with a tolerance of  $\pm 10\%$  compared to the indicated value. The W tot column indicates the total wattage absorbed by the system without exceeding 10% of the indicated