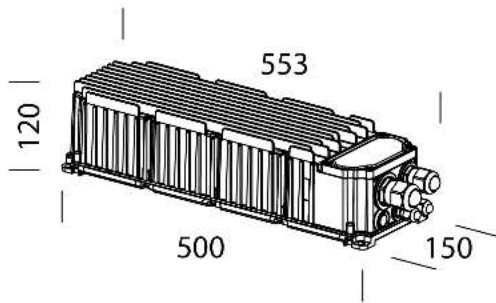




Type 3 - Driver IP66 DMX/RDM

• completo di connettore rapido • temperatura ambiente: -40°C + 45°C • tensione ingresso AC: 220-400V • frequenza: 50/60Hz • fattore di potenza: 0.95 • Low Flicker 1% (typical) • Iout: 700mA-1400mA • tipo di uscita: 3 canali indipendenti • protocollo dimmerazione: DMX/RDM • livello dimmerazione: 0,4÷100% (10÷100% in ampiezza - 10÷0,4% in PMW)



Download

Montaggi  
- Type 3 - Driver IP66 DMXRDM 10-18.pdf

Code	Gear	Kg	Lumen-K-CRI	WTot	Colour
997673-00001041	CLD CELL	6,40	1200mA---	0 W	GRIGIO
997673-00301041	CLD CELL	6,40	1300mA--	0 W	GRIGIO

Prodotti



- 3196 Forum LED - 3 MODULI -



- 3198 Forum LED - 3 MODULI -



- 3192 Forum LED - 3 MODULI -



- 3195 Forum LED - 3 MODULI -



- 3231 Forum LED - 3 MODULI - simmetrico M



- 3230 Forum LED - 3 MODULI - simmetrico MS



- 3232 Forum LED - 3 MODULI - simmetrico XW



- 3194 Forum LED - 3 MODULI - asimmetrico 60°

The reported luminous flux is the flux emitted by the light source with a tolerance of ± 10% compared to the indicated value. The W tot column indicates the total wattage absorbed by the system without exceeding 10% of the indicated