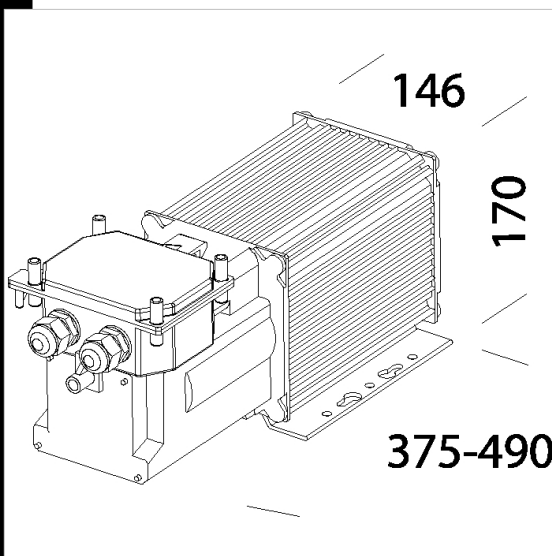
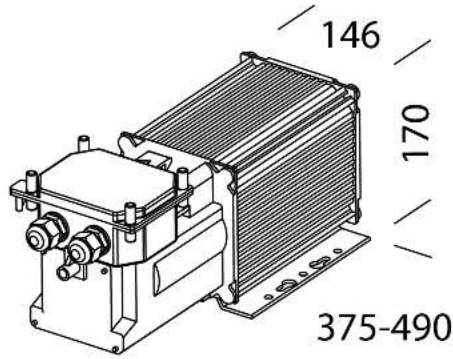


1176 Cablaggio CC ip66

In alluminio. Contenente: alimentatore e condensatore di rifasamento (senza accenditore).



| Code | Gear | Kg | Lumen-K-CRI | WTot | Base | Colour |
|-----------|------|-------|-----------------------|-------|---------|--------|
| 997673-00 | CNR | 16,00 | JM-TS 2000--- | 103 W | By wire | GRIGIO |
| 997670-00 | CNR | 11,00 | JM-T/SAP-T 2x400--- | 0 W | E40 | GRIGIO |
| 997674-00 | CNR | 11,60 | JM-T/TS/SAP-T 1000--- | 70 W | | GRIGIO |
| 997671-00 | CNR | 11,60 | JM-T/TS/SAP-T 1000--- | 70 W | | GRIGIO |

Prodotti



- 1168 Titano - Simmetrico



- 1125 Lampo - Fascio largo



- 1743 Area - FS



- 1156 Forum - FL



- 1808 Olympic - asimmetrico LA



- 1156 Forum - FM



- 1746 Area - AS



- 1744 Area - FM



- 1156 Forum - FS



- 1745 Area - FL



- 1125 Lampo - Fascio stretto



- 1749 Area - AS 65°



- 1826 Mini-Olympic - asimmetrico diffondente



- 1828 Mini-Olympic - asimmetrico diffondente SA



- 1829 Mini-Olympic - asimmetrico concentrante



- 1830 Mini-Olympic - asimmetrico concentrante LA



- 1831 Mini-Olympic - asimmetrico concentrante SA



- 1156 Forum - XL



- 1156 Forum - XS



- 1156 Forum - XL indoor



- 1186 Forum - XS High Performance



- 1186 Forum - FS High Performance



- 1186 Forum - FM High Performance



- 1186 Forum - XL High Performance

The reported luminous flux is the flux emitted by the light source with a tolerance of $\pm 10\%$ compared to the indicated value. The W tot column indicates the total wattage absorbed by the system without exceeding 10% of the indicated

Prodotti



- 1186 Forum - XL indoor High Performance



- 1809 Olympic - asimmetrico SA



- 1827 Mini-Olympic - asimmetrico diffondente LA



- 1808 Olympic - asimmetrico



- 1186 Forum - FL High Performance

The reported luminous flux is the flux emitted by the light source with a tolerance of $\pm 10\%$ compared to the indicated value. The W tot column indicates the total wattage absorbed by the system without exceeding 10% of the indicated