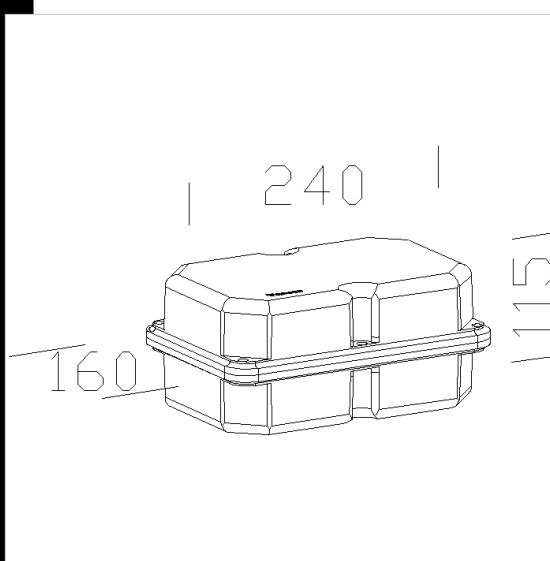
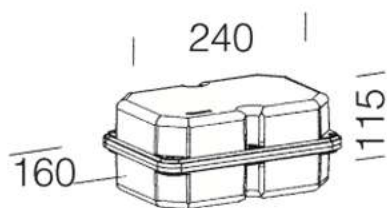


179 Cablaggio CC-IP677

Cassetta stagna in nylon. Contenente trasformatore elettromeccanico e morsetti

Download

DXF 2D
- acc_179_microfloor.dxf



Code	Gear	Kg	Lumen-K-CRI	WTot	Colour
997661-00	CLD	2,21	60W---	0 W	NERO
997667-00		1,05		50 W	NERO
997662-00		2,21	105W---	0 W	NERO
997663-00	CLD	0,91	LED---	0 W	NERO
997665-00	CLD	0,93	LED---	0 W	NERO
997666-00	CLD	1,31		0 W	NERO

Prodotti



The reported luminous flux is the flux emitted by the light source with a tolerance of $\pm 10\%$ compared to the indicated value. The W tot column indicates the total wattage absorbed by the system without exceeding 10% of the indicated