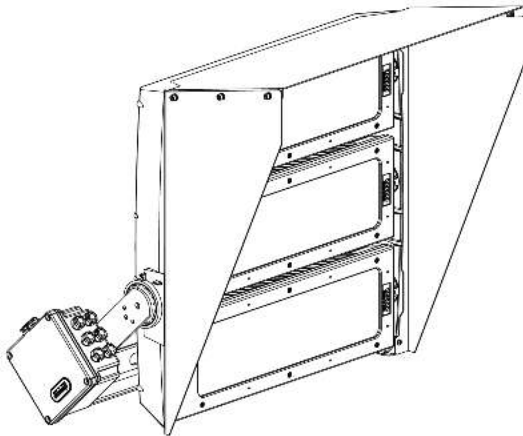


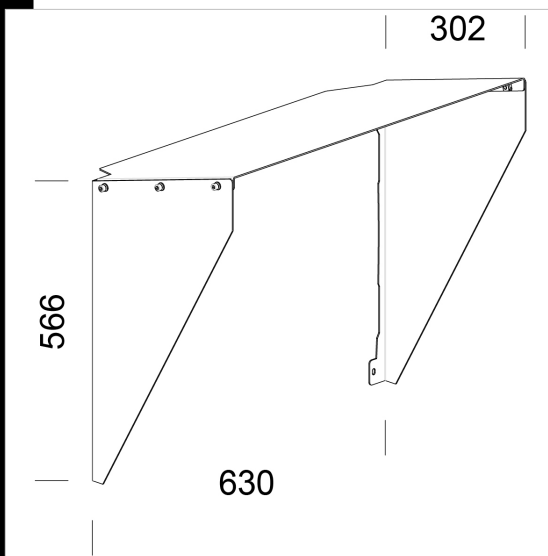
482 Deflettore antiabbagliamento 3mod

In acciaio. Permette di schermare il fascio luminoso.



Download

DXF 2D  
- 483.dxf



Code	Kg	WTot
995786-00	3,12	0 W

Prodotti

	- 2192 Forum LED - 2 MODULI -		- 2196 Forum LED - 2 MODULI -		- 2195 Forum LED - 2 MODULI -		- 2197 Forum LED - 2 MODULI -
	- 2190 Forum LED - 2 MODULI - simmetrico MS		- 2193 Forum LED - 2 MODULI - simmetrico XW		- 2191 Forum LED - 2 MODULI - simmetrico M		- 2198 Forum HE - 2 MODULI - simmetrico
	- 2199 Forum HE - 2 MODULI - asimmetrico		- 2200 Forum HE - 2 MODULI - asimmetrico 50°		- 2194 Forum LED - 2 MODULI - asimmetrico 60°		- 3230 Forum type B_old
	- 3231 Forum type B_old		- 3192 Forum type B_old		- 3232 Forum type B_old		- 3195 Forum type B_old
	- 3196 Forum type B_old		- 3198 Forum type B_old		- 3230 Forum type A_old		- 3231 Forum type A_old
	- 3192 Forum type A_old		- 3232 Forum type A_old		- 3195 Forum type A_old		- 3196 Forum type A_old
	- 3198 Forum type A_old		- 3230 Forum WICOP_old		- 3231 Forum type C_old		- 3192 Forum type C_old

The reported luminous flux is the flux emitted by the light source with a tolerance of  $\pm 10\%$  compared to the indicated value. The W tot column indicates the total wattage absorbed by the system without exceeding 10% of the indicated

482 Deflettore antiabbagliamento 3mod

Prodotti



- 3232 Forum type C\_old



- 3195 Forum type C\_old



- 3196 Forum type C\_old



- 3198 Forum type C\_old

The reported luminous flux is the flux emitted by the light source with a tolerance of  $\pm 10\%$  compared to the indicated value. The W tot column indicates the total wattage absorbed by the system without exceeding 10% of the indicated