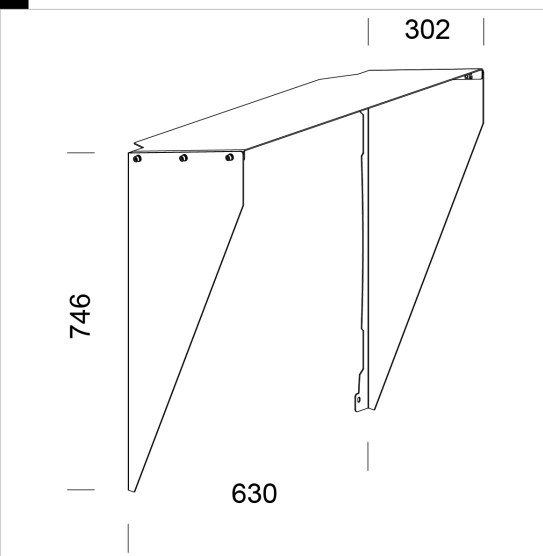
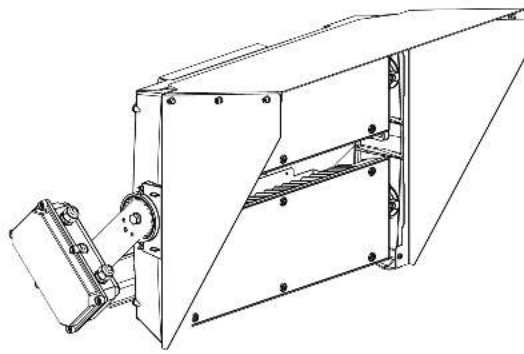


482 Deflettore antiabbagliamento 2Mod

In acciaio. Permette di schermare il fascio luminoso.



| Code | Kg | WTot |
|-----------|------|------|
| 995785-00 | 3,06 | 0 W |

Prodotti

| | | | | | | | |
|--|---|--|--|--|--|--|--|
| | - 3196 Forum LED - 3 MODULI - | | - 3198 Forum LED - 3 MODULI - | | - 3192 Forum LED - 3 MODULI - | | - 3195 Forum LED - 3 MODULI - |
| | - 3231 Forum LED - 3 MODULI - simmetrico M | | - 3230 Forum LED - 3 MODULI - simmetrico MS | | - 3232 Forum LED - 3 MODULI - simmetrico XW | | - 3194 Forum LED - 3 MODULI - asimmetrico 60° |
| | - 2190 Forum type A_old | | - 2191 Forum type A_old | | - 2192 Forum type A_old | | - 2193 Forum type A_old |
| | - 2195 Forum type A_old | | - 2196 Forum type A_old | | - 2197 Forum type A_old | | - 2190 Forum type C_old |
| | - 2191 Forum type C_old | | - 2192 Forum type C_old | | - 2193 Forum type C_old | | - 2195 Forum type C_old |
| | - 2196 Forum type C_old | | - 2197 Forum type C_old | | | | |

The reported luminous flux is the flux emitted by the light source with a tolerance of $\pm 10\%$ compared to the indicated value. The W tot column indicates the total wattage absorbed by the system without exceeding 10% of the indicated