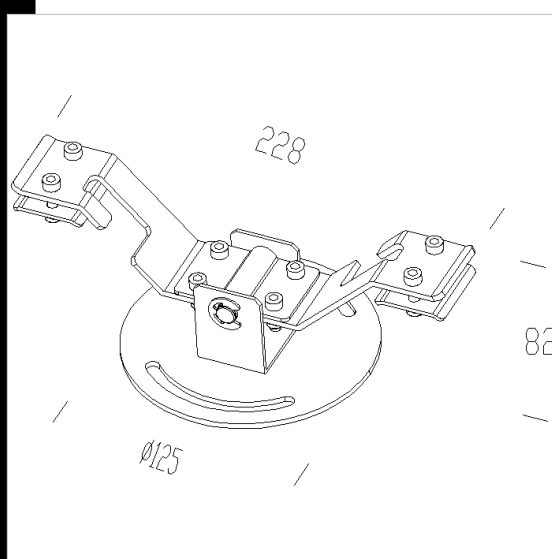
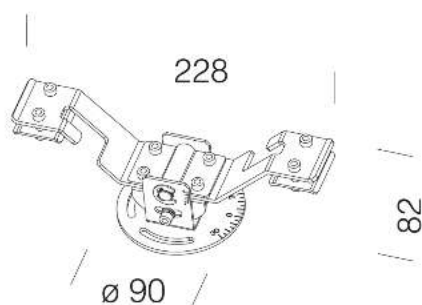


### 56 attacco a sospensione

In acciaio inox AISI 304. Per l'applicazione su funi e cavi in acciaio.

**Download**

DXF 2D  
- 56.dxf



Code	Kg	WTot	Colour
995727-00	0,06	0 W	INOX

**Prodotti**



- 3138 Campana



- 3136 Campana - diffondente



- 3137 Campana



- 3142 Campana LED



- 3135 Campana - ottica stradale



- 3141 Campana LED



- 3332 Disco 3 - LED - Centro strada



- 3146 Campana LED

The reported luminous flux is the flux emitted by the light source with a tolerance of  $\pm 10\%$  compared to the indicated value. The W tot column indicates the total wattage absorbed by the system without exceeding 10% of the indicated