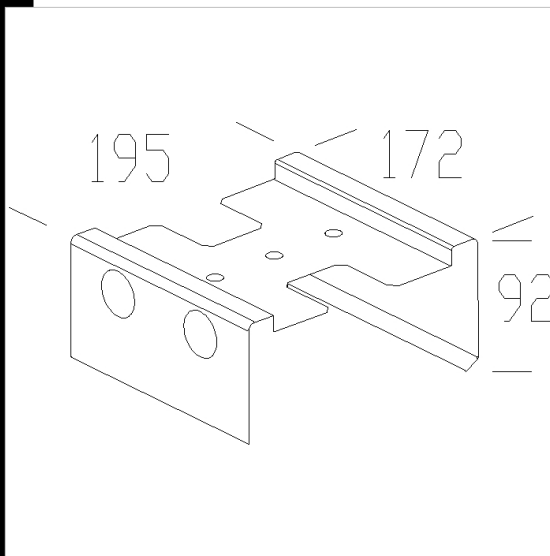
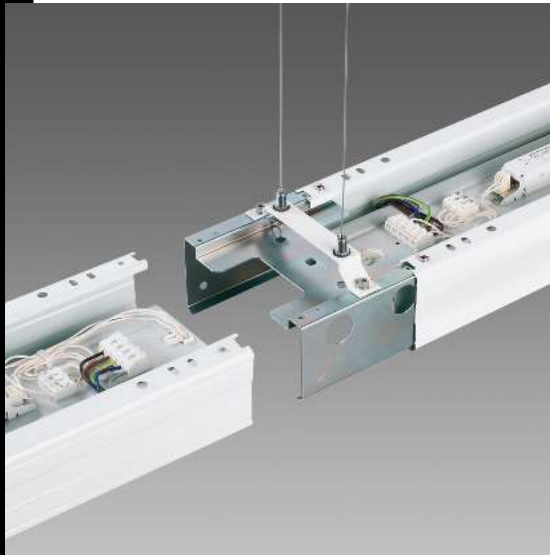


1925 giunto lineare

In acciaio zincato. Per la sospensione, la fila continua, la giunzione di due apparecchi.



Code	Kg	WTot	Colour
994649-00	0,02	0 W	ZINCATO

Prodotti



- 1903 Super - semplice 2+2



- 1904 Super - LED



- 1901 Super - semplice 1+1

Download

DXF 2D  
- 1925.dxf

The reported luminous flux is the flux emitted by the light source with a tolerance of  $\pm 10\%$  compared to the indicated value. The W tot column indicates the total wattage absorbed by the system without exceeding 10% of the indicated