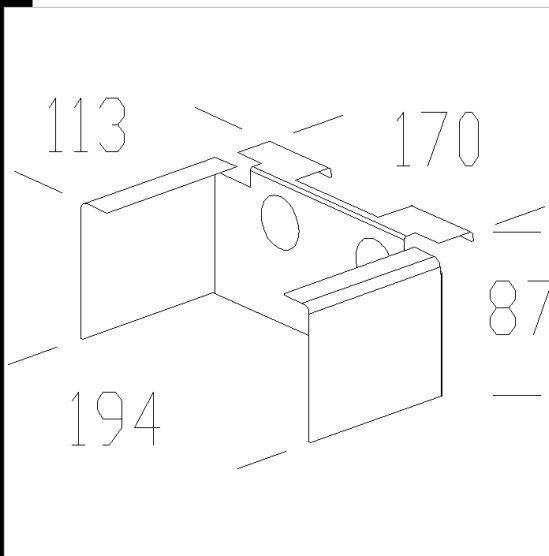
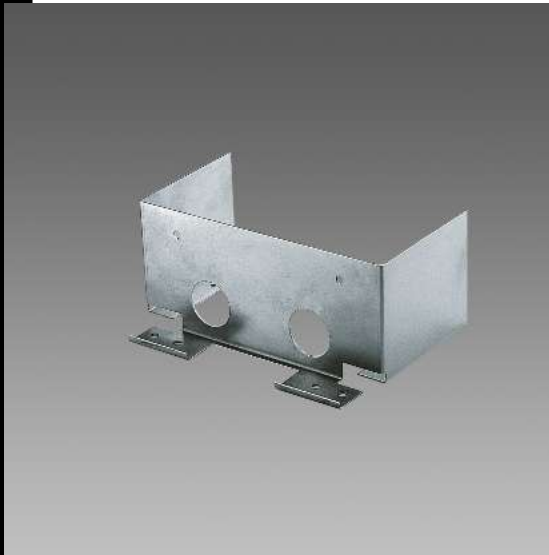


1919 giunto angolare

In acciaio zincato. Per la sospensione e la giunzione ad angolo di due apparecchi.

Download

DXF 2D
- 1919.dxf



Code	Kg	WTot	Colour
994638-00	0,00	0 W	ZINCATO

Prodotti



- 1903 Super - semplice 2+2



- 1904 Super - LED



- 1901 Super - semplice 1+1

The reported luminous flux is the flux emitted by the light source with a tolerance of $\pm 10\%$ compared to the indicated value. The W tot column indicates the total wattage absorbed by the system without exceeding 10% of the indicated