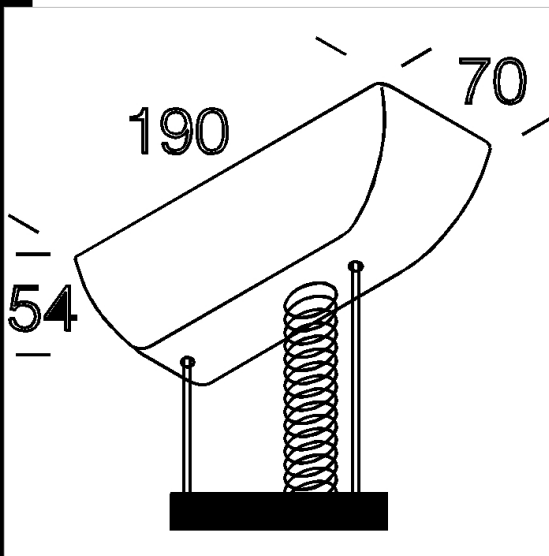


2608 Sospensione elettrificata

Copertura in nylon con staffe in acciaio. Completa di cavetto in acciaio (l = 1.5m) dispositivo per regolazione millimetrica e cavo di alimentazione spiralato.



Code	Kg	WTot	Colour
994617-00	0,73	0 W	BIANCO

Prodotti



- 731 Minicomfort R LED -



- 731 Minicomfort LED x4 -



- 740 LED Panel R - CRI 80



- 740 LED Panel - CRI 93

The reported luminous flux is the flux emitted by the light source with a tolerance of $\pm 10\%$ compared to the indicated value. The W tot column indicates the total wattage absorbed by the system without exceeding 10% of the indicated