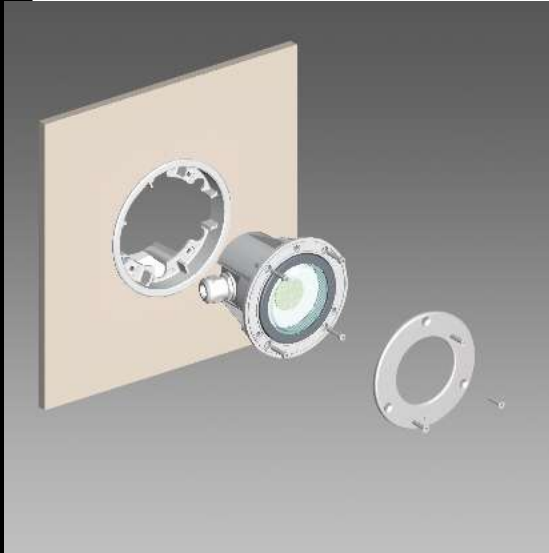


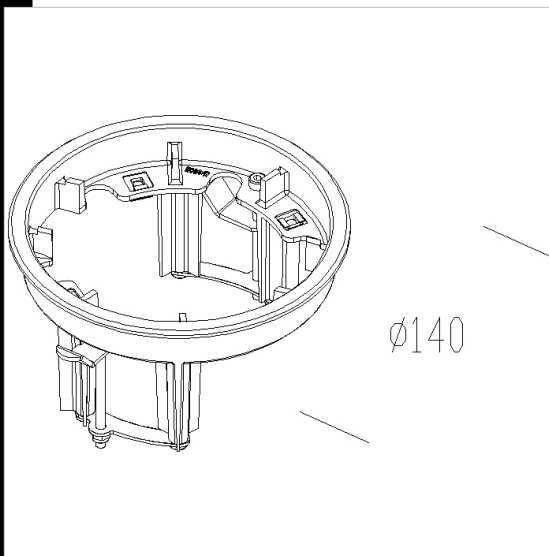


Download  
DXF 2D  
-acc\_314.dxf



### 314 Telaio a parete

Da utilizzare per incassare Microfloor a parete



Code	Kg	WTot	Colour
993926-00	0,14	0 W	BIANCO

#### Prodotti



- 1650 Microfloor LED



- 1634 Microfloor LED



- 1648 Microfloor asimmetrico



- 1649 Microfloor



- 1661 Microfloor LED - 230V



- 1635 Microfloor LED RGB Fullcolor



- 1670 Microfloor LED 230V

The reported luminous flux is the flux emitted by the light source with a tolerance of  $\pm 10\%$  compared to the indicated value. The W tot column indicates the total wattage absorbed by the system without exceeding 10% of the indicated