

313 Controcassa

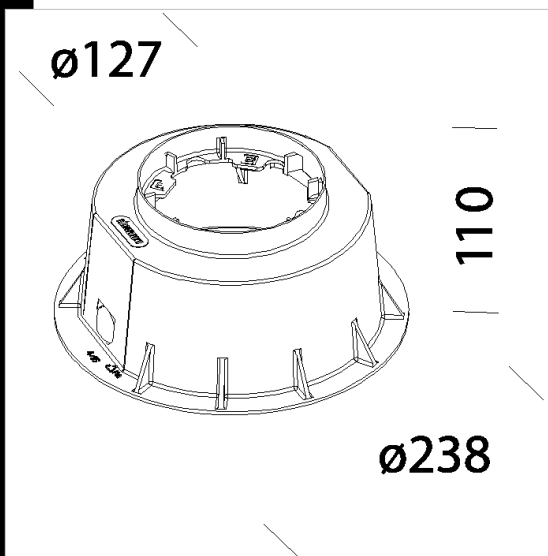
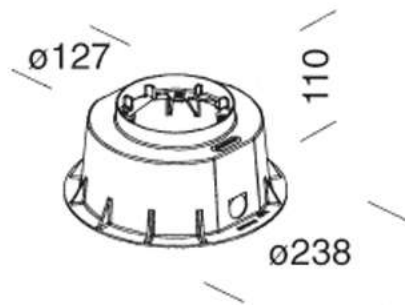
Da utilizzare per incassare Microfloor nel terreno



3° IP
IK

Download

DXF 2D
- 313.dxf



Code	Kg	WTot
993925-00	0,34	0 W

Prodotti



- 1650 Microfloor LED



- 1634 Microfloor LED



- 1648 Microfloor asimmetrico



- 1649 Microfloor



- 1661 Microfloor LED - 230V



- 1635 Microfloor LED RGB Fullcolor



- 1670 Microfloor LED 230V

The reported luminous flux is the flux emitted by the light source with a tolerance of $\pm 10\%$ compared to the indicated value. The W tot column indicates the total wattage absorbed by the system without exceeding 10% of the indicated