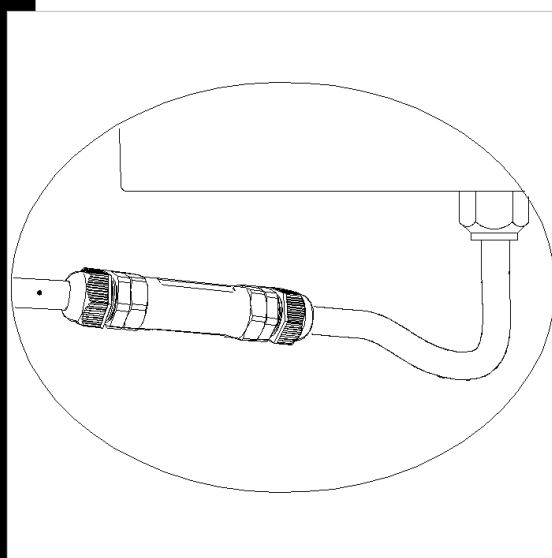
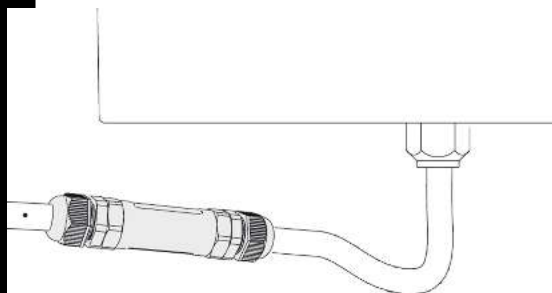


### 369 Connettore

Aquistare per collegare all'impianto di alimentazione generale



Download

DXF 2D  
- 369.dxf

| Code      | Kg   | WTot | Colour |
|-----------|------|------|--------|
| 993838-00 | 0,39 | 0 W  | NERO   |

#### Prodotti



The reported luminous flux is the flux emitted by the light source with a tolerance of  $\pm 10\%$  compared to the indicated value. The W tot column indicates the total wattage absorbed by the system without exceeding 10% of the indicated