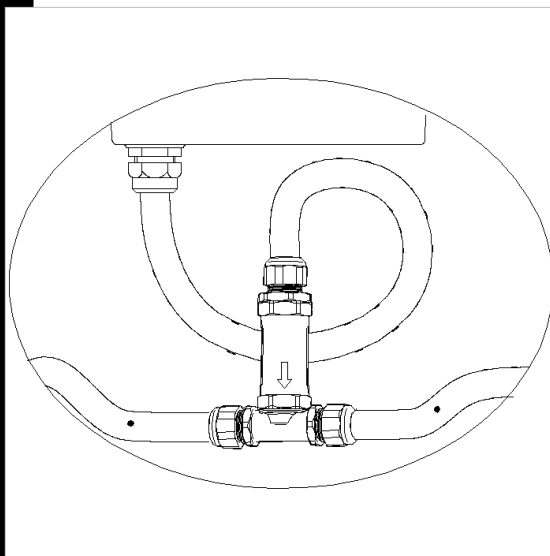
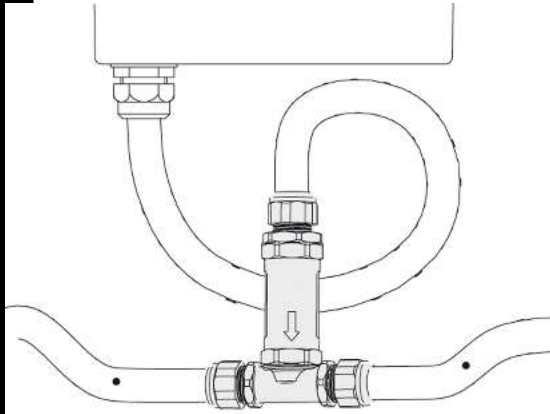


399 Connettore per fila continua

Da utilizzare per realizzare file continue



Download

DXF 2D
- 399.dxf

Code	Kg	WTot	Colour
993837-00	0,07	0 W	NERO

Prodotti

	- 1644 Floor - Con schermo		- 1620 Floor - LED ES		- 1731 Faro 3 - Tipo basso		- 1730 Faro 3 - Tipo alto
	- 1641 Minifloor - fisso		- 1601 Floor - con schermo piano a filo terreno		- 1733 Faro 4 - Tipo basso		- 1733 Faro 4 - Tipo basso speciale
	- 1640 Minifloor - orientabile		- 1602 Floor - Con schermo bombato e lamelle radiali		- 1732 Faro 4 - Tipo alto		- 1732 Faro 4 - Tipo alto speciale
	- 1883 Minifloor LED		- 1851 Floor - orientabile - FS		- 1852 Floor - orientabile - FM		- 1853 Floor - orientabile - FL
	- 1855 Floor - Asimmetrico in		- 1857 Floor - orientabile in		- 1856 Floor - orientabile in		- 1850 Floor - asimmetrico a filo
	- 1677 Floor - LED RGBW DMX orientabile		- 1678 Floor - LED ES orientabile in acciaio inox AISI 316		- 1679 Floor - LED RGBW DMX orientabile in acciaio inox AISI 316		- 1603 Floor - Con schermo bombato e telaio luce localizzata
	- 1685 Floor - fisso - FS		- 1686 Floor - fisso - FL		- 1687 Floor - orientabile - FS		- 1688 Floor - orientabile - FL

The reported luminous flux is the flux emitted by the light source with a tolerance of $\pm 10\%$ compared to the indicated value. The W tot column indicates the total wattage absorbed by the system without exceeding 10% of the indicated

Prodotti



- 1689 Floor - orientabile - LED
RGBW DMX



- 1858 Floor - orientabile in
acciaio inox AISI 316 - FL

The reported luminous flux is the flux emitted by the light source with a tolerance of $\pm 10\%$ compared to the indicated value. The W tot column indicates the total wattage absorbed by the system without exceeding 10% of the indicated