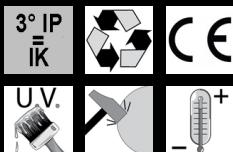


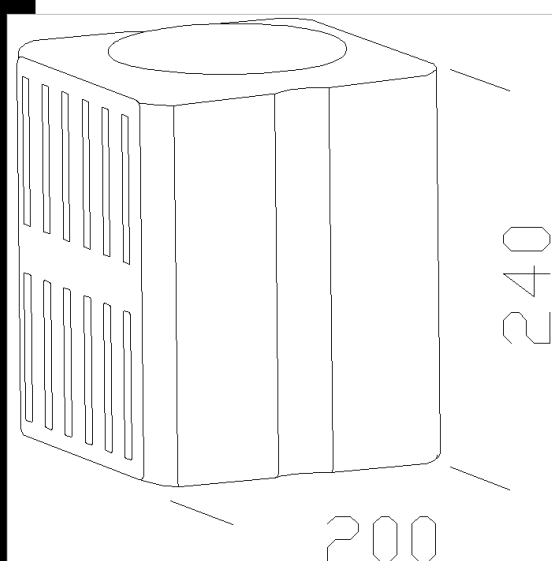
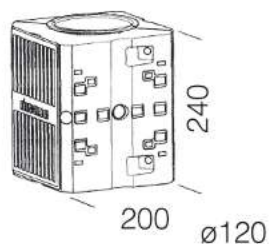
151 cubo Lione

In alluminio pressofuso. Da utilizzare per installare i prodotti su palo.



Download

- DXF 2D  
- 151.dxf
- 3DS  
- disano\_151\_lione.3ds
- 3DM  
- disano\_151\_lione.3dm
- Montaggi  
- acc\_151.pdf



Code	Kg	WTot	Colour
991365-00	4,49	0 W	GREY9007

Pali



- 1508 Palo rigato ø120 con



- 1509 Palo rigato ø120



- 1491 Palo da interrare



- 1493 Palo con base

Prodotti



- 1751 Metropolis concentrante



- 1597 Vista - Con lamellare



- 3131 Tex fascio medio



- 1581 Volo - Stradale



- 1582 Volo - Diffondente



- 1502 Polar



- 1572 Volo per piste ciclabile



- 1580 Volo - asimmetrico



- 3132 Tex fascio largo



- 1595 Vista - Con schermo opale



- 1752 Metropolis diffondente



- 1214 Clima



- 1598 Vista - A luce indiretta



- 1504 Clima



- 1240 Torpedo



- 3134 Tex - LED



- 1753 Metropolis per piste ciclabili



The reported luminous flux is the flux emitted by the light source with a tolerance of ± 10% compared to the indicated value. The W tot column indicates the total wattage absorbed by the system without exceeding 10% of the indicated

Prodotti



- 1202 Polar



- 1750 Metropolis



- 1204 Clima

The reported luminous flux is the flux emitted by the light source with a tolerance of  $\pm 10\%$  compared to the indicated value. The W tot column indicates the total wattage absorbed by the system without exceeding 10% of the indicated