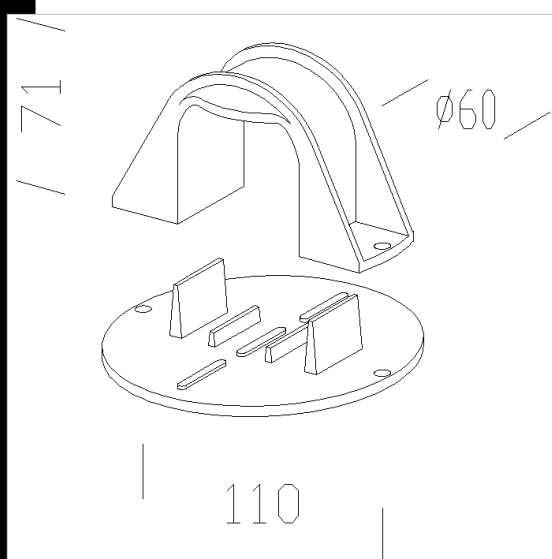
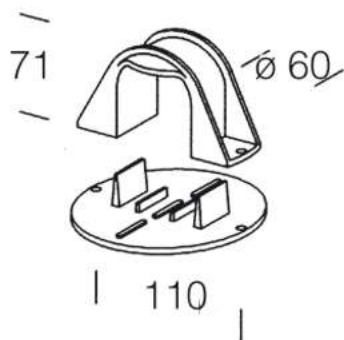


## 120 Supporto a palo

In nylon f.v. Permette di applicare Koala su qualsiasi palo Ø60 e in ogni posizione.

**Download**

DXF 2D  
- acc120.dxf



Code	Kg	WTot	Colour
991336-00	0,19	0 W	NERO

### Pali



- 5 Palo in vetroresina

### Prodotti



- 1537 Koala ES



- 1528 Elfo 150W concentrante



- 1536 Koala



- 1524 Elfo 35/70W diffondente



- 1527 Elfo 150W diffondente



- 1220 Dafne



- 1537 Koala



- 1515 Elfo LED - FL - COB



- 1564 Elfo LED - FS - COB



- 1223 Dafne LED



- 1538 Koala - 230v



- 1523 Elfo LED con tiges



- 1525 Elfo 35/70W concentrante



- 1537 Koala - COB



- 1537 Koala ES

The reported luminous flux is the flux emitted by the light source with a tolerance of  $\pm 10\%$  compared to the indicated value. The W tot column indicates the total wattage absorbed by the system without exceeding 10% of the indicated