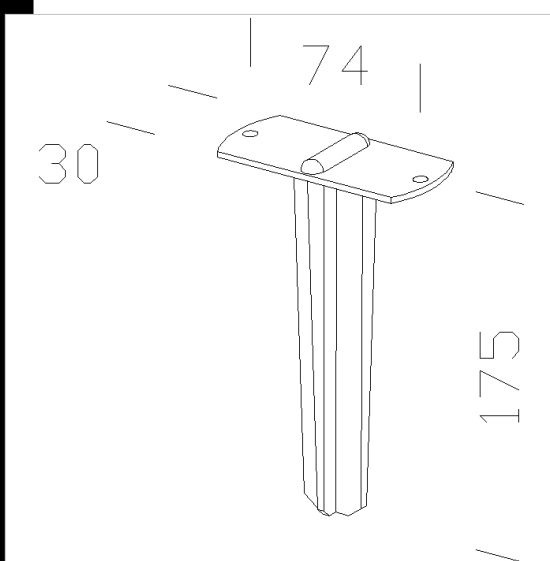
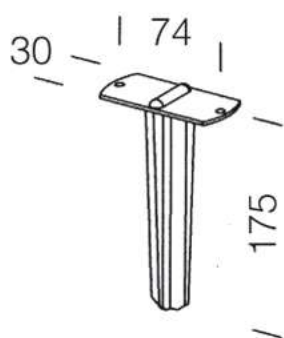


119 Picchetto

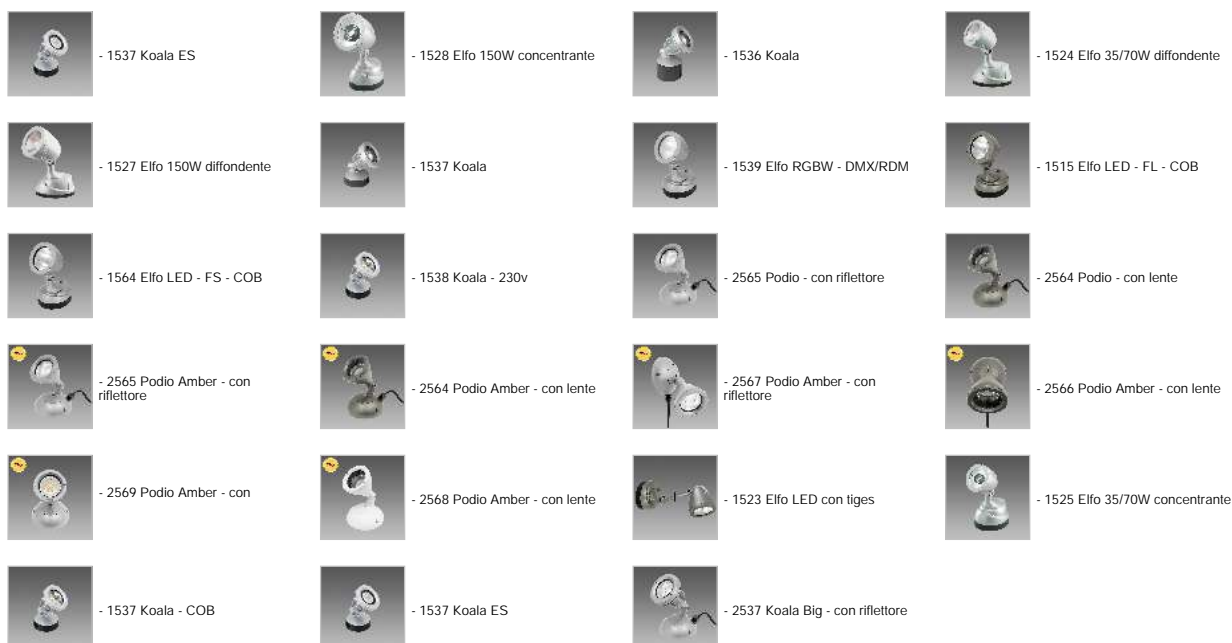
In nylon f.v. Permette l'interramento di Koala nel terreno.

Download
DXF 2D
- acc119.dxf



Code	Kg	WTot	Colour
991335-00	0,03	0 W	NERO

Prodotti



The reported luminous flux is the flux emitted by the light source with a tolerance of $\pm 10\%$ compared to the indicated value. The W tot column indicates the total wattage absorbed by the system without exceeding 10% of the indicated