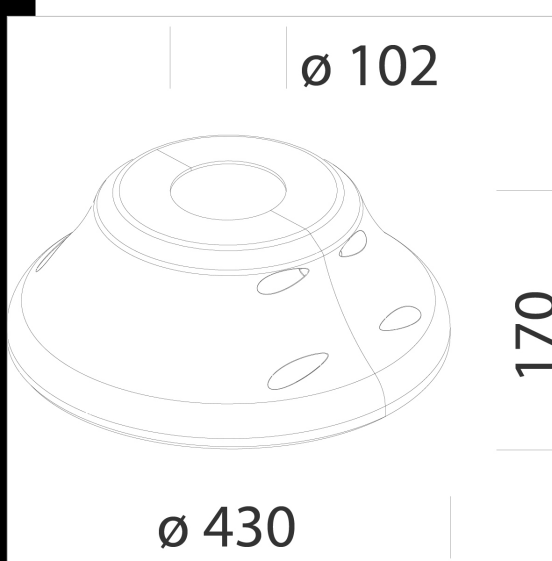
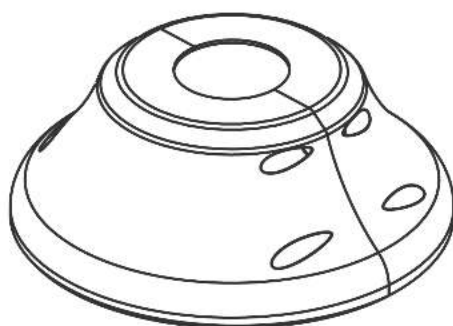


222 Copertura base palo 102

Da utilizzare come copertura della base dei pali acc. 1485/1487.

Download
DXF 2D
- 222-102.dxf



Code	Kg	WTot	Colour
991315-00	3,50	0 W	GRAFITE

Pali



- 1487 palo da interrare -



- 1485 palo con base $\varnothing 102$



- 1485 palo con base - Pegaso



- 1487 palo da interrare $\varnothing 102$

The reported luminous flux is the flux emitted by the light source with a tolerance of $\pm 10\%$ compared to the indicated value. The W tot column indicates the total wattage absorbed by the system without exceeding 10% of the indicated