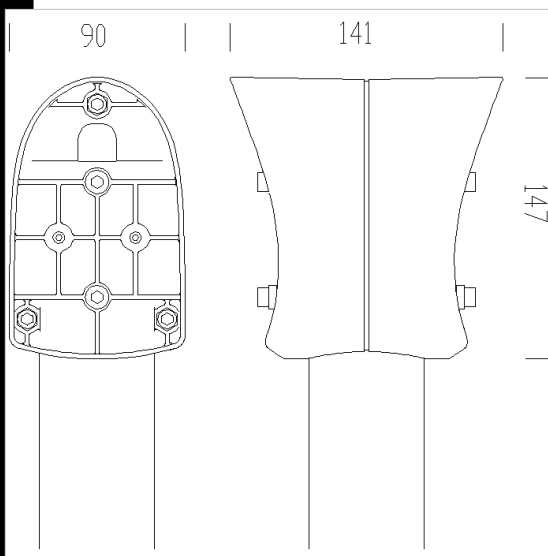
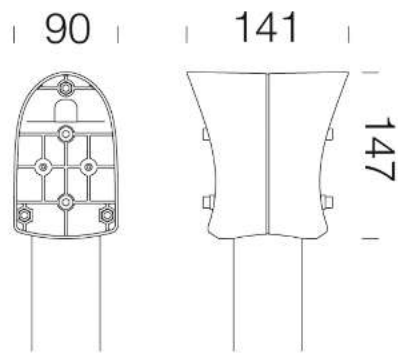


453 Attacco palo doppio

In nylon f.v. permette l'installazione di due Garden su palo \varnothing 60.

Download

DXF 2D
- 453.dxf



Code	Kg	WTot	Colour
991254-00	0,35	0 W	NERO
991255-00	1,75	0 W	ARGENTO SABBBIATO

Prodotti



- 1280 Garden



- 1287 Garden

The reported luminous flux is the flux emitted by the light source with a tolerance of \pm 10% compared to the indicated value. The W tot column indicates the total wattage absorbed by the system without exceeding 10% of the indicated