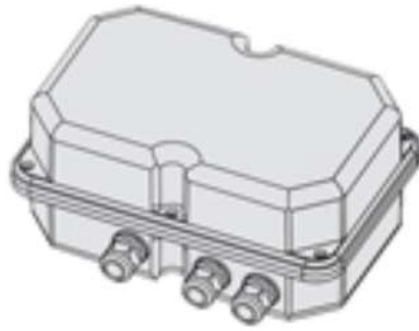


63 Cassetta IP65 alimentatore LED RGB + DMX

Cassetta stagna IP65 con alim. 48V 60W per RGB Power LED - max 9 Microfloor RGB e Fullcolor. Fornita di scheda elettronica con controller/interfaccia DMX.



Download

Montaggi  
- acc\_62-63.pdf

Code	Gear	Kg	Lumen-K-CRI	WTot	Colour
986511-00	CLD	0,91	60W---	0 W	NERO

Prodotti



- 1635 Microfloor LED RGB



- 1871 Midifloor LED fullcolor -

The reported luminous flux is the flux emitted by the light source with a tolerance of  $\pm 10\%$  compared to the indicated value. The W tot column indicates the total wattage absorbed by the system without exceeding 10% of the indicated