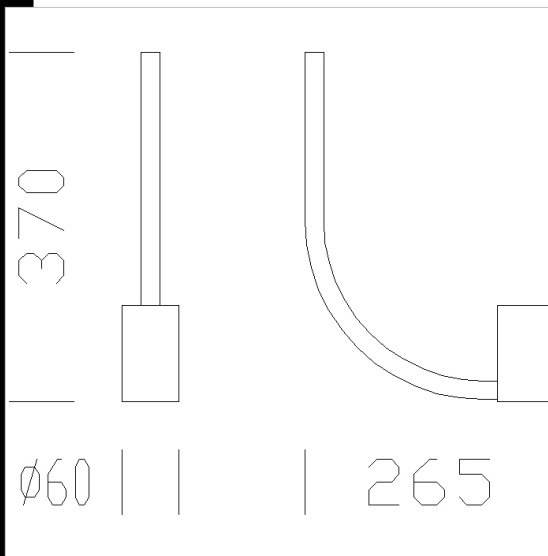
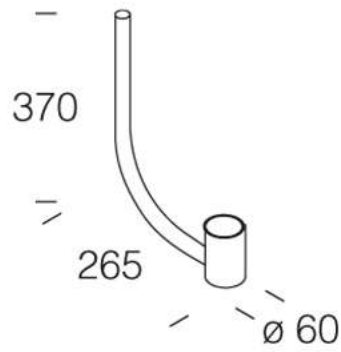


1370 Braccio

In acciaio tropicalizzato verniciato per cataforesi epossidica, nera e finitura bugnata. Da utilizzarsi in abbinamento all'attacco a parete acc. 1372.

Download  
DXF 2D  
- 1370.dxf



Code	Kg	WTot	Colour
441210-00	0,76	0 W	NERO

Prodotti



- 1320 Base grande



- 1313 Base alluminio -



- 1350 sferico



- 1313 Base alluminio -

The reported luminous flux is the flux emitted by the light source with a tolerance of  $\pm 10\%$  compared to the indicated value. The W tot column indicates the total wattage absorbed by the system without exceeding 10% of the indicated