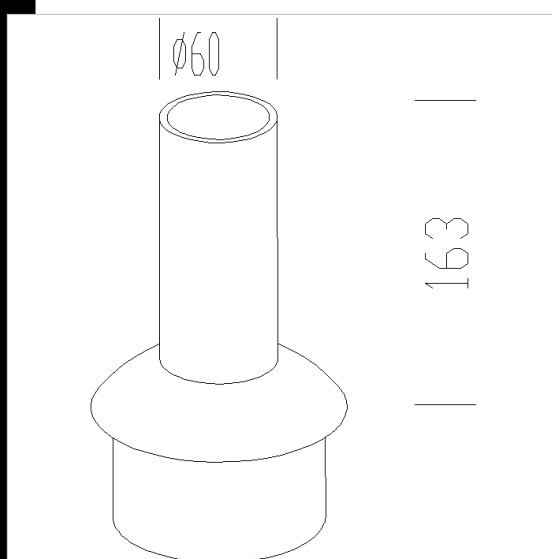
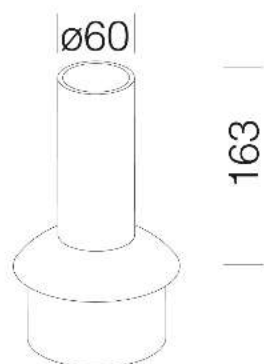


368 raccordo testa-palo

in acciaio zincato.

Download

DXF 2D  
- 368.dxf



Code	Kg	WTot	Colour
426996-00	1,64	0 W	ZINCATO
427003-00	1,64	0 W	GRAFITE
427002-00	1,64	0 W	GREY9007

Pall



- 1415 Palo in acciaio con base



- 1416 Palo in acciaio ø159 da



- 1493 Palo con base



- 1491 Palo da interrare

The reported luminous flux is the flux emitted by the light source with a tolerance of  $\pm 10\%$  compared to the indicated value. The W tot column indicates the total wattage absorbed by the system without exceeding 10% of the indicated