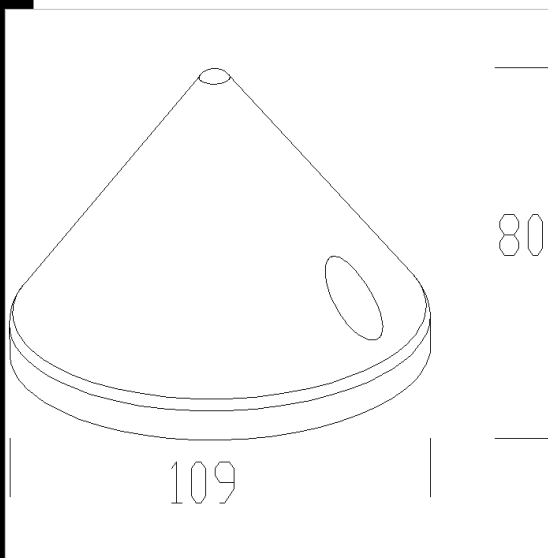
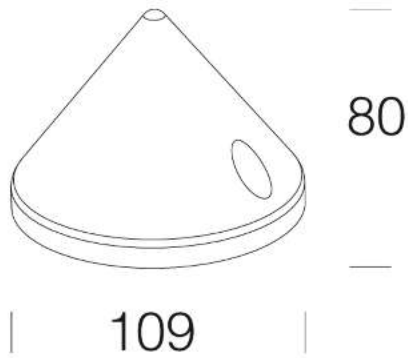


Download

DXF 2D
- 367.dxf



Code	Kg	WTot	Colour
426998-00	0,43	0 W	GREY9007
426997-00	0,43	0 W	GRAFITE
426995-00	0,43	0 W	NERO

Pali



- 1409 Palo rigato ø100

The reported luminous flux is the flux emitted by the light source with a tolerance of $\pm 10\%$ compared to the indicated value. The W tot column indicates the total wattage absorbed by the system without exceeding 10% of the indicated