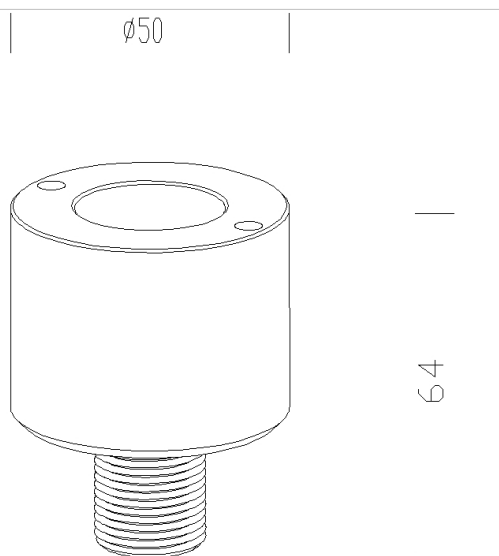
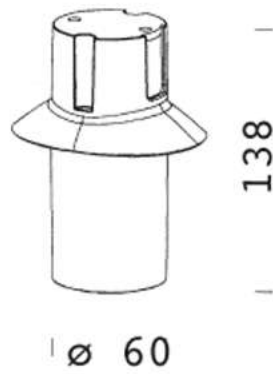


303 attacco ø 60

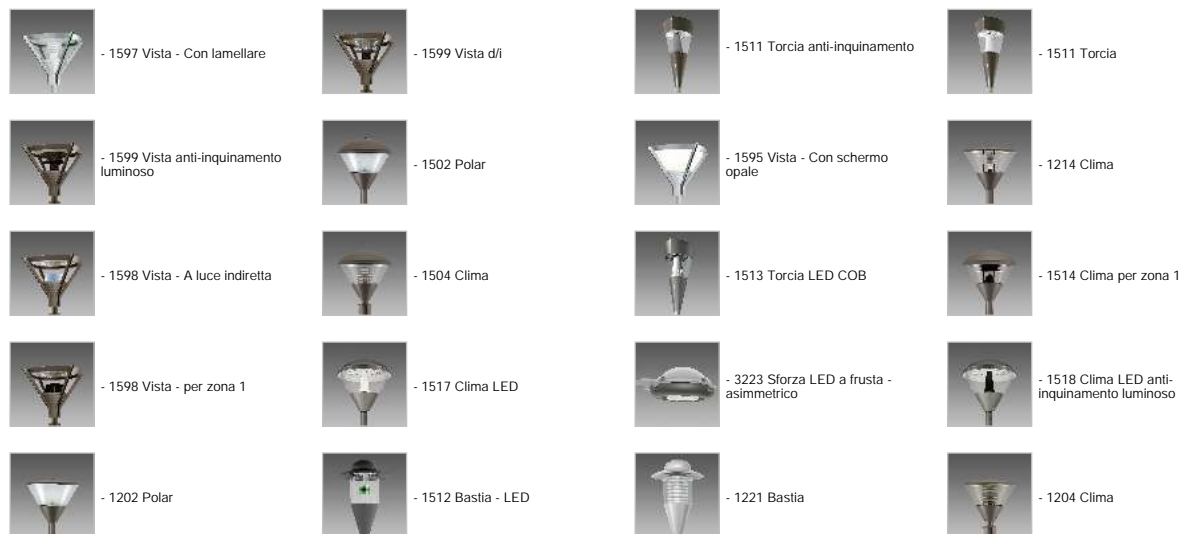
In alluminio. Da utilizzare sempre con l'acc.301 per l'installazione dell'apparecchio sul braccio.

Download
DXF 2D
- acc 304.dxf



Code	Kg	WTot	Colour
426976-00	0,40	0 W	GREY9007
426977-00	0,40	0 W	GRAFITE

Prodotti



The reported luminous flux is the flux emitted by the light source with a tolerance of $\pm 10\%$ compared to the indicated value. The W tot column indicates the total wattage absorbed by the system without exceeding 10% of the indicated