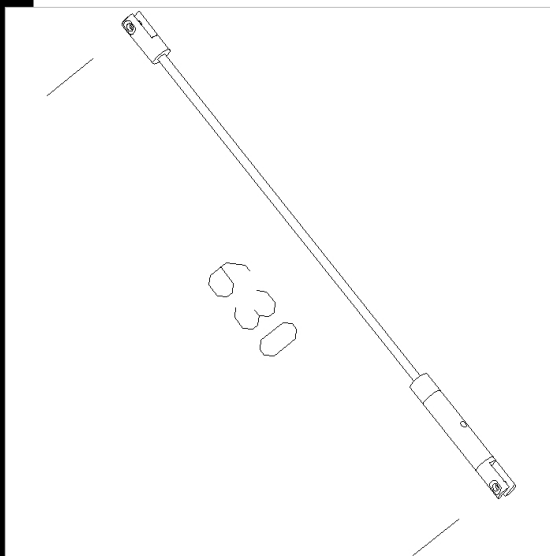
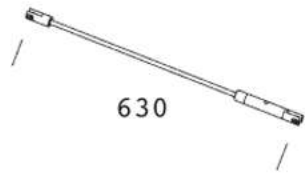


215 Tirante

Da utilizzare con il braccio acc. 210 e con l'acc. 211/212



| Code | Kg | WTot | Colour |
|-----------|------|------|---------|
| 426960-00 | 0,24 | 0 W | ACCIAIO |

Prodotti



- 1751 Metropolis concentrante



- 1752 Metropolis diffondente



- 1756 Monza HP - high



- 1753 Metropolis per piste



- 3182 Sforza Ø500 - attraversamenti pedonali SX



- 3184 Sforza Ø500 - attraversamenti pedonali DX



- 1750 Metropolis



- 3189 Sforza Ø500 - arredo urbano



- 1756 Monza FX

The reported luminous flux is the flux emitted by the light source with a tolerance of $\pm 10\%$ compared to the indicated value. The W tot column indicates the total wattage absorbed by the system without exceeding 10% of the indicated