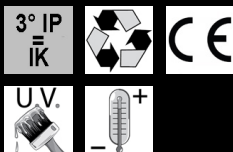


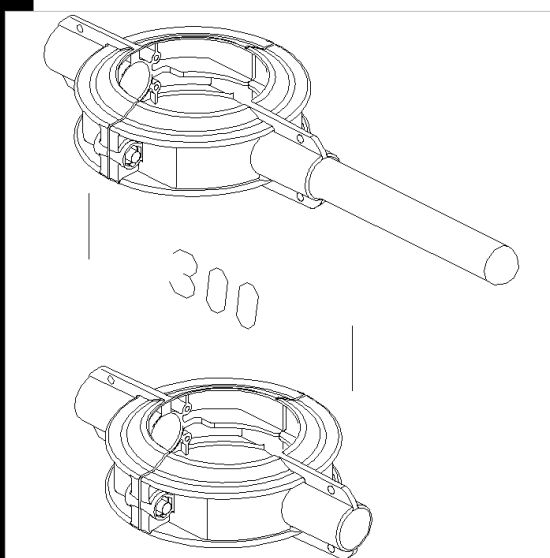
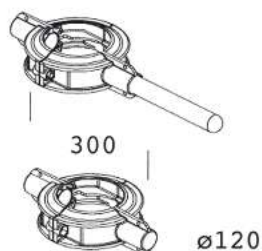
213 Attacco standard lungo

Da utilizzare per l'installazione di uno standard pubblicitario.



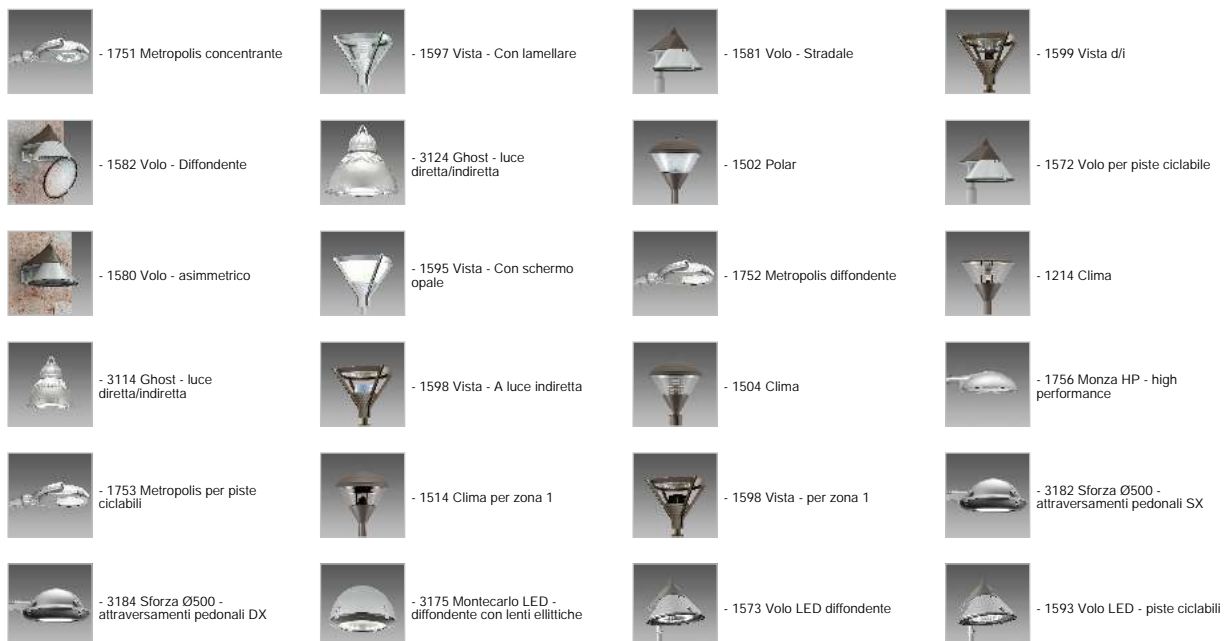
Download

- DXF 2D
- acc_213.dxf
- 3DS
- disano_213.3ds
- 3DM
- disano_213.3dm
- Montaggi
- acc_213_218.pdf



| Code | Kg | WTot | Colour |
|-----------|------|------|----------|
| 426957-00 | 2,00 | 0 W | GRAFITE |
| 426956-00 | 2,00 | 0 W | GREY9007 |

Prodotti



The reported luminous flux is the flux emitted by the light source with a tolerance of ± 10% compared to the indicated value. The W tot column indicates the total wattage absorbed by the system without exceeding 10% of the indicated

213 Attacco standard lungo

Prodotti



- 1202 Polar



- 1750 Metropolis



- 3189 Sforza Ø500 - arredo urbano



- 3752 Metropolis - LED



- 3751 Metropolis - LED - Diffondente



- 1756 Monza FX



- 1204 Clima

The reported luminous flux is the flux emitted by the light source with a tolerance of $\pm 10\%$ compared to the indicated value. The W tot column indicates the total wattage absorbed by the system without exceeding 10% of the indicated