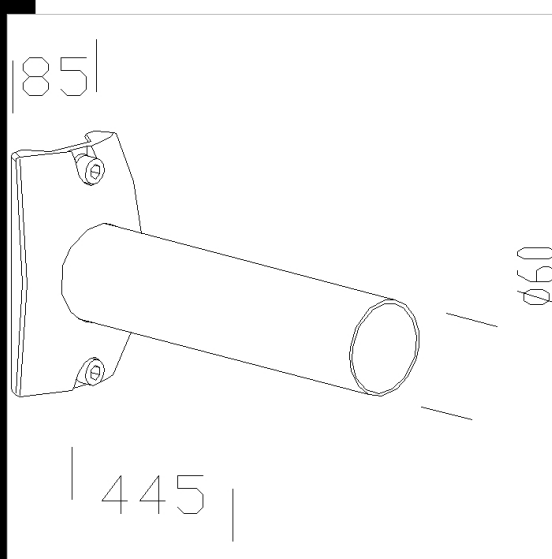
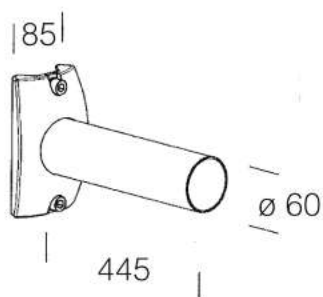


328 Braccio

In alluminio pressofuso. Da utilizzarsi con l'acc. 302 per l'applicazione a parete o 300/211 per l'applicazione su palo.



Code	Kg	WTot	Colour
426944-00	1,80	0 W	GREY9007
426945-00	1,80	0 W	GRAFITE

Prodotti



3° IP
IK

Download

- DXF 2D
- 328.dxf
- 3DS
- disano_328.3ds
- 3DM
- disano_328.3dm
- Montaggi
- acc_327-328.pdf

The reported luminous flux is the flux emitted by the light source with a tolerance of ± 10% compared to the indicated value. The W tot column indicates the total wattage absorbed by the system without exceeding 10% of the indicated