

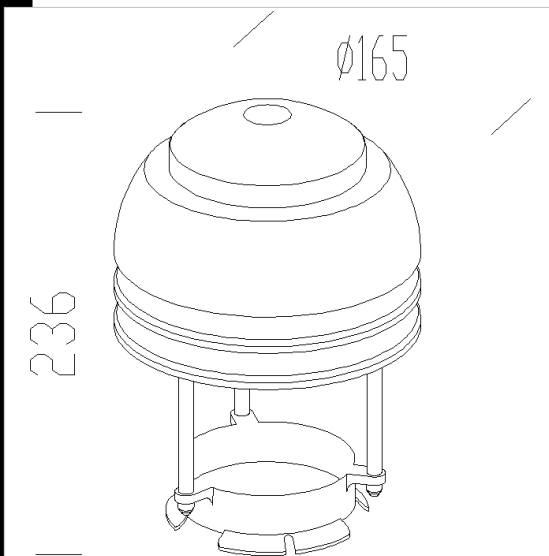


Download
DXF 2D
- 1327_28.dxf



1327 lamellare zona 2

In alluminio. Da utilizzare per installare i globi in ambienti di zona 2.



Code	Kg	Lumen-K-CRI	WTot	Base	Colour
426272-00	0,50	MAX 100---	0 W	E27	ALLUMINIO/NERO

Prodotti



- 1305 Globo argento liscio



- 1330 base per globi verniciati



- 1313 Base alluminio -



- 1305 Globo argento liscio



- 1306 Globo nero



- 1313 Base alluminio -
cablaggio S/CNR



- 1300 TR

The reported luminous flux is the flux emitted by the light source with a tolerance of ± 10% compared to the indicated value. The W tot column indicates the total wattage absorbed by the system without exceeding 10% of the indicated