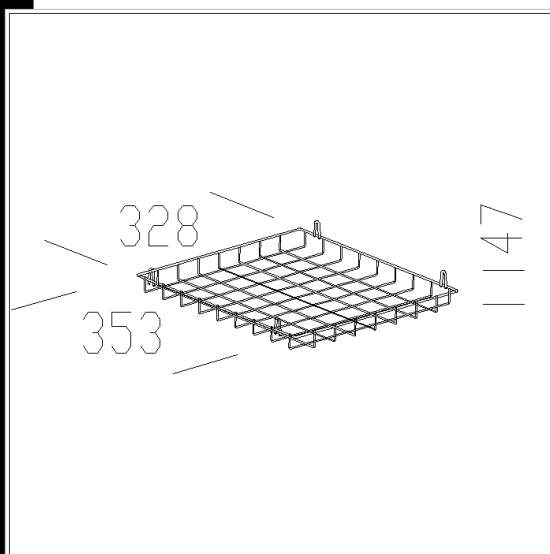
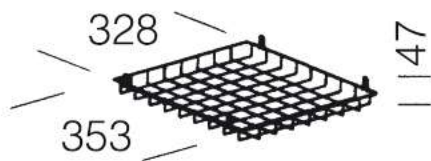


1187 Gabbia di protezione

In tondino di acciaio plastificato bianco.  
Per la protezione antiurto.

Download

DXF 2D  
- d1187.dxf



Code	Kg	WTot	Colour
321511-00	0,19	0 W	BIANCO

Prodotti



- 1103 Nikos



- 1104 Nikos - Asimmetrico

The reported luminous flux is the flux emitted by the light source with a tolerance of  $\pm 10\%$  compared to the indicated value. The W tot column indicates the total wattage absorbed by the system without exceeding 10% of the indicated