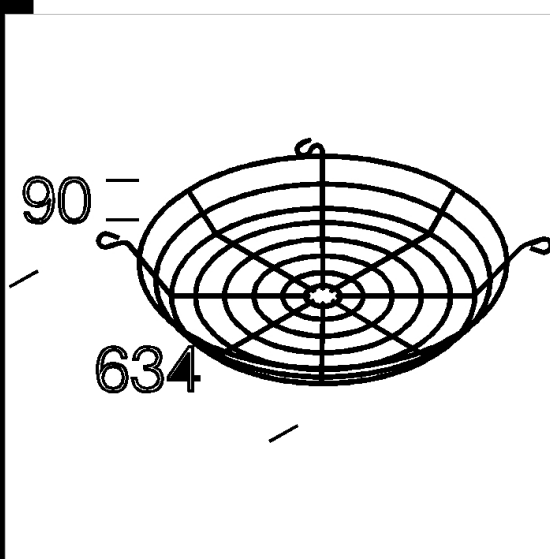
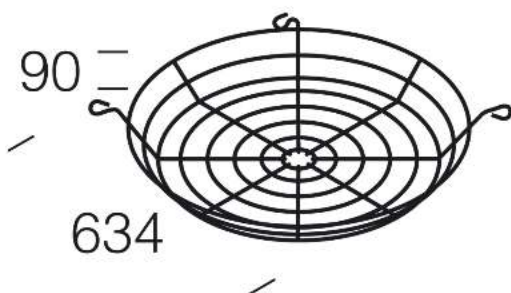


1160 Gabbia

Gabbia di protezione antiurto in tondino d'acciaio plastificato nero. Fissaggio a mezzo viti.  
Per art. Quark - Quasar - Photon.



| Code      | Kg   | WTot | Colour |
|-----------|------|------|--------|
| 321010-00 | 0,48 | 0 W  | NERO   |

Prodotti



- 1217 Photon - Concentrante



- 1109 Quasar



- 1216 Photon - Diffondente



- 1110 Quasar - con vetro



- 1218 Photon - Concentrante



- 1215 Photon - Diffondente



- 1116 Quark - Diffondente



- 1117 Quark - Concentrante



- 1219 Photon - Diffondente  
CDM MW



- 1115 Quark - Diffondente

Download  
DXF 2D  
- d1160.dxf

The reported luminous flux is the flux emitted by the light source with a tolerance of  $\pm 10\%$  compared to the indicated value. The W tot column indicates the total wattage absorbed by the system without exceeding 10% of the indicated