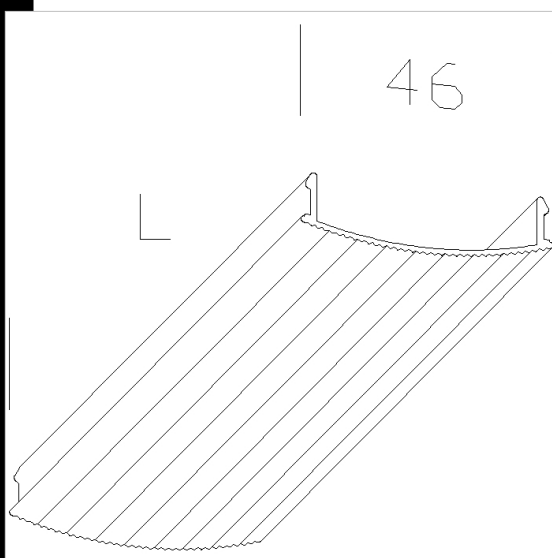


Copertura struttura Omnitrack

Permette la copertura della struttura nella parte inferiore se non viene inserito il binario.

Download

DXF 2D
- 271774.dxf



Code	Kg	WTot	Colour
22271774-00	2,00	0 W	ARGENTO

Prodotti



- Struttura per Omnitrack

The reported luminous flux is the flux emitted by the light source with a tolerance of $\pm 10\%$ compared to the indicated value. The W tot column indicates the total wattage absorbed by the system without exceeding 10% of the indicated