

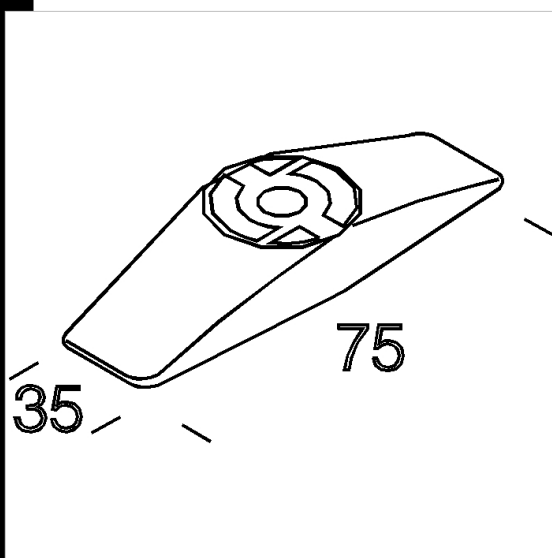
Download

DXF 2D
- v_005325.dxf



Attacco a plafone

Portata kg.6. Per l'installazione direttamente a plafone o a sospensione. Utilizzare sempre 2 pezzi.



Code	Kg	WTot	Colour
22005225-00	0,03	0 W	NERO
22005325-00	0,03	0 W	BIANCO
22005384-00	0,03	0 W	ARGENTO

Prodotti



- Maxi Liset IP54 LED



- Maxi Liset IP40 LED



- Maxi Liset IP54



- Maxi Liset IP40 - Tutta luce

The reported luminous flux is the flux emitted by the light source with a tolerance of $\pm 10\%$ compared to the indicated value. The W tot column indicates the total wattage absorbed by the system without exceeding 10% of the indicated