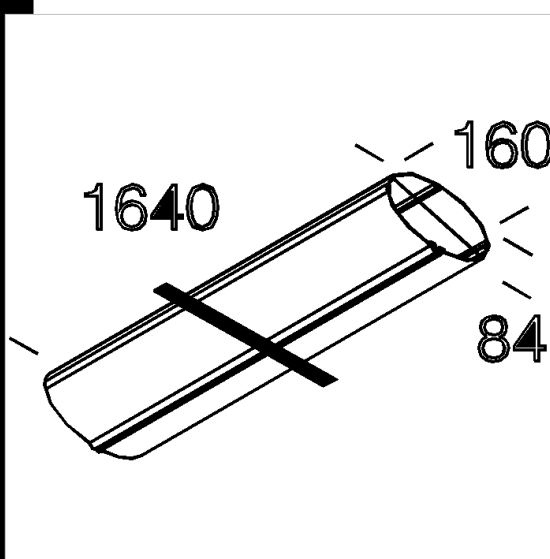


Modulo strutturale

Con copertura. Per fila continua necessari giunto lineare e testata.



Code	Kg	WTot	Colour
22235276-00	3,75	0 W	GRIGIO
22235216-00	3,75	0 W	BIANCO
22235266-00	3,75	0 W	ARGENTO

Download

DXF 2D
- v_235216.dxf

The reported luminous flux is the flux emitted by the light source with a tolerance of $\pm 10\%$ compared to the indicated value. The W tot column indicates the total wattage absorbed by the system without exceeding 10% of the indicated