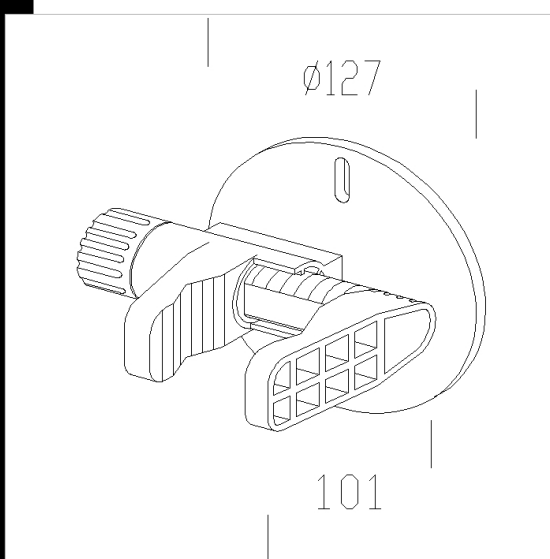


Morsetto

In nylon f.v. Per l'applicazione su diverse superfici senza doverlo fissare definitivamente.

Download
DXF 2D
- morsetto.dxf



Code	Kg	WTot	Colour
22091438-00	0,50	0 W	NERO

Prodotti



- Trial LED - COB



- Trial-one ceramic



- Gotham



- Gotham CDM-R

The reported luminous flux is the flux emitted by the light source with a tolerance of $\pm 10\%$ compared to the indicated value. The W tot column indicates the total wattage absorbed by the system without exceeding 10% of the indicated