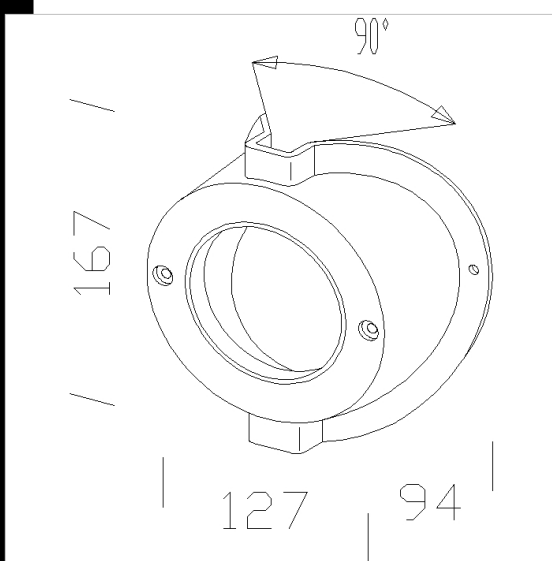


Supporto angolare

In nylon f.v. Per l'applicazione su una superficie ad angolo esterno.
Da utilizzare con acc Basetta 22091470-00 - 22091430-00 - 22091410-00

Download

DXF 2D
- supang.dxf



| Code | Kg | WTot | Colour |
|-------------|------|------|--------|
| 22091435-00 | 0,10 | 0 W | NERO |

Prodotti



- Trial LED - COB



- Trial-one ceramic



- Gotham



- Gotham CDM-R

The reported luminous flux is the flux emitted by the light source with a tolerance of $\pm 10\%$ compared to the indicated value. The W tot column indicates the total wattage absorbed by the system without exceeding 10% of the indicated