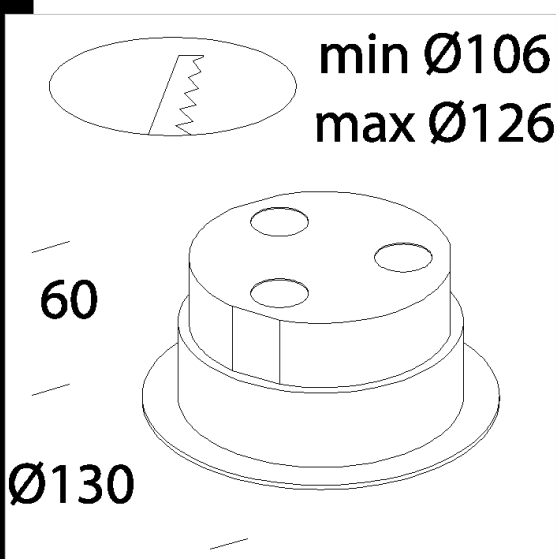


Incasso adattatore universale

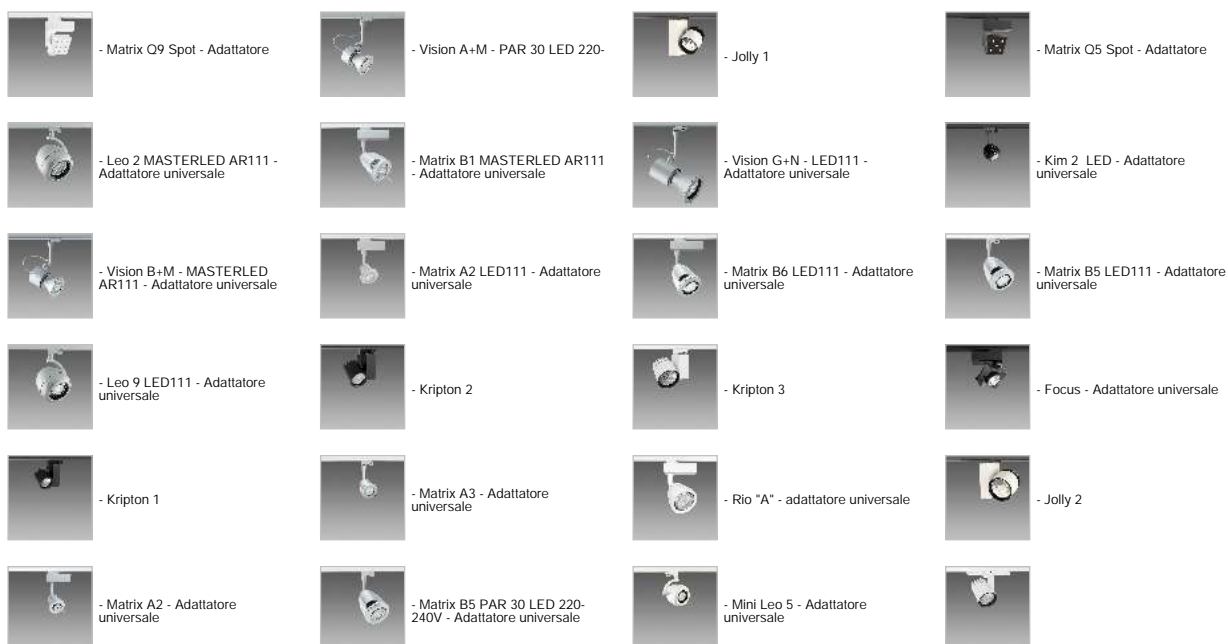
Download

DXF 2D
- incuniv.dxf



Code	Kg	WTot	Colour
22091110-00	0,13	0 W	BIANCO
22091130-00	0,13	0 W	NERO
22091170-00	0,13	0 W	GRIGIO

Prodotti



The reported luminous flux is the flux emitted by the light source with a tolerance of $\pm 10\%$ compared to the indicated value. The W tot column indicates the total wattage absorbed by the system without exceeding 10% of the indicated

Incasso adattatore universale

Prodotti



- Krypton 1B



- Krypton 3B

The reported luminous flux is the flux emitted by the light source with a tolerance of $\pm 10\%$ compared to the indicated value. The W tot column indicates the total wattage absorbed by the system without exceeding 10% of the indicated