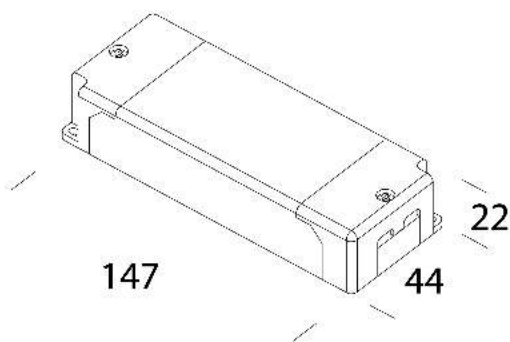


Alimentatore 700mA

M1 A: min 1spot - max 14spot
 M1 B: min 1spot - max 14spot
 M2: min 1spot - max 7spot
 M3: min 1spot - max 4
 M5: min 1spot - max 2

Download



Code	Gear	Kg	WTot
22090812-00	CLD	0,12	0 W

Prodotti



- Spot M1-A - plafone - UGR<19



- Spot M1-B - plafone - UGR<19



- Spot M2 - plafone - UGR<19



- Spot M3 - plafone - UGR<19



- Spot M5 - plafone - UGR<19

The reported luminous flux is the flux emitted by the light source with a tolerance of $\pm 10\%$ compared to the indicated value. The W tot column indicates the total wattage absorbed by the system without exceeding 10% of the indicated