

## Luthor Medium - Professional

La gamma dei faretti da incasso Luthor si completa con le tre misure. Questo consente di poter inserire gli apparecchi in tutti i fori di incasso utilizzando prodotti della stessa.

I faretti ad incasso orientabili Luthor LED offrono una luce tecnologicamente avanzata: grazie alla grande robustezza, all'ottima qualità e alle elevate performance, i faretti Luthor LED rappresentano un prodotto ideale per l'illuminazione di grandi aree commerciali.

Corpo orientabile Medium: in alluminio pressofuso

Riflettore: In policarbonato metallizzato.

Verniciatura: A polvere con vernice epossidica in poliestere resistente ai raggi UV.

Normativa: Prodotti in conformità alle norme EN 60598-1-CEI 34.21, hanno grado di protezione secondo le norme EN 60529.

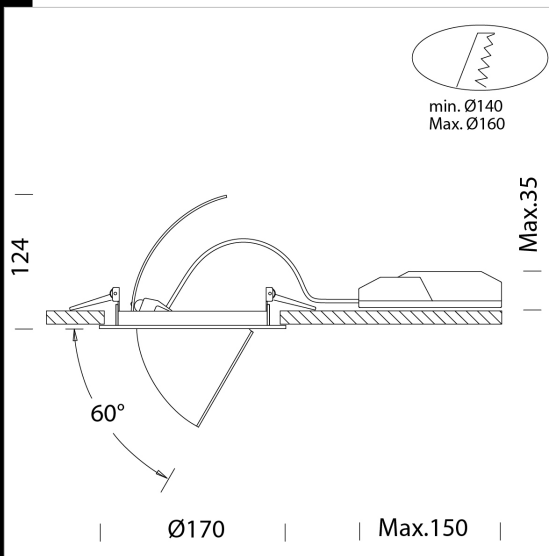
LED: sorgenti luminose ad alta efficienza per una elevata qualità dei colori illuminati (CRI 93).

Fattore di potenza  $\geq 0.95$

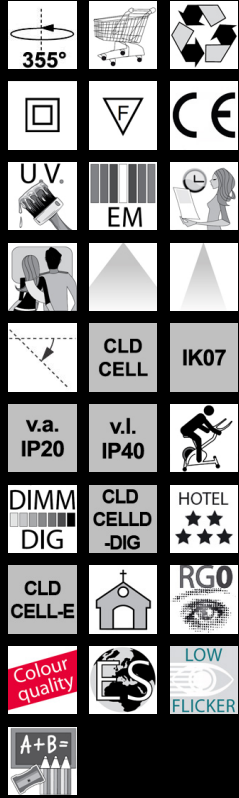
Classificazione rischio fotobiologico: gruppo esente.

Mantenimento del flusso luminoso al 80%: 50.000h (L80B20).

diam. incasso 140/160mm



Code	Gear	Kg	Lumen Output-K-CRI	WTot	Colour
22087819-00	CLD CELL	0,96	LED COB-2499lm-3000K-18°-CRI 93	28 W	BIANCO
22087879-00	CLD CELL	0,99	LED COB-2499lm-3000K-18°-CRI 93	28 W	ARGENTO
22087839-00	CLD CELL	0,90	LED COB-2499lm-3000K-18°-CRI 93	27 W	NERO
22087819-09	CLD CELL-E	1,60	LED COB-2499lm-3000K-18°-CRI 93	28 W	BIANCO
22087879-09	CLD CELL-E	1,60	LED COB-2499lm-3000K-18°-CRI 93	28 W	ARGENTO
22087819-31	CLD CELL-E	1,60	LED COB-2499lm-3000K-18°-CRI 93	28 W	BIANCO
22087879-31	CLD CELL-E	1,60	LED COB-2499lm-3000K-18°-CRI 93	28 W	ARGENTO
22087819-1241	CLD CELL-D-D	1,00	LED COB-2499lm-3000K-18°-CRI 93	28 W	BIANCO
22087879-1241	CLD CELL-D-D	1,00	LED COB-2573lm-3000K-18°-CRI 93	28 W	ARGENTO
22087819-68	CLD CELL	0,96	LED COB-2754lm-4000K-18°-CRI 93	28 W	BIANCO
22087879-68	CLD CELL	0,87	LED COB-2754lm-4000K-18°-CRI 93	28 W	ARGENTO
22087819-6809	CLD CELL-E	1,60	LED COB-2754lm-4000K-18°-CRI 93	27 W	BIANCO
22087879-6809	CLD CELL-E	1,60	LED COB-2754lm-4000K-18°-CRI 93	27 W	ARGENTO
22087819-6841	CLD CELL-D-D	1,02	LED COB-2754lm-4000K-18°-CRI 93	27 W	BIANCO
22087879-6841	CLD CELL-D-D	1,00	LED COB-2754lm-4000K-18°-CRI 93	27 W	ARGENTO
22088910-00	CLD CELL	0,98	LED COB-2440lm-3000K-35°-CRI 93	26 W	BIANCO
22088970-00	CLD CELL	0,93	LED COB-2440lm-3000K-35°-CRI 93	26 W	ARGENTO
22088910-09	CLD CELL-E	1,60	LED COB-2487lm-3000K-35°-CRI 93	26 W	BIANCO
22088970-09	CLD CELL-E	1,60	LED COB-2487lm-3000K-35°-CRI 93	26 W	ARGENTO
22088910-31	CLD CELL-E	1,60	LED COB-2487lm-3000K-35°-CRI 93	26 W	BIANCO
22088970-31	CLD CELL-E	1,60	LED COB-2487lm-3000K-35°-CRI 93	26 W	ARGENTO
22088910-1241	CLD CELL-D-D	0,95	LED COB-2487lm-3000K-35°-CRI 93	27 W	BIANCO
22088970-1241	CLD CELL-D-D	0,90	LED COB-2487lm-3000K-35°-CRI 93	26 W	ARGENTO
22088910-68	CLD CELL	0,97	LED COB-2610lm-4000K-35°-CRI 93	26 W	BIANCO
22088970-68	CLD CELL	0,89	LED COB-2610lm-4000K-35°-CRI 93	26 W	ARGENTO
22088910-6809	CLD CELL-E	1,60	LED COB-2610lm-4000K-35°-CRI 93	26 W	BIANCO
22088970-6809	CLD CELL-E	1,60	LED COB-2610lm-4000K-35°-CRI 93	26 W	ARGENTO
22088910-3113	CLD CELL-E	1,60	LED COB-2610lm-4000K-35°-CRI 93	26 W	BIANCO
22088970-3113	CLD CELL-E	1,60	LED COB-2610lm-4000K-35°-CRI 93	26 W	ARGENTO
22088910-6841	CLD CELL-D-D	1,07	LED COB-2610lm-4000K-35°-CRI 93	26 W	BIANCO
22088970-6841	CLD CELL-D-D	1,00	LED COB-2610lm-4000K-35°-CRI 93	26 W	ARGENTO
22087839-29	CLD CELL	0,90	LED COB-2440lm-3000K-35°-CRI 93	27 W	NERO



### Download

DXF 2D

- luh2.dxf

Montaggi

- Luthor rev6.pdf

The reported luminous flux is the flux emitted by the light source with a tolerance of  $\pm 10\%$  compared to the indicated value. The W tot column indicates the total wattage absorbed by the system without exceeding 10% of the indicated

## Luthor Medium - Professional

Code	Gear	Kg	Lumen Output-K-CRI	WTot	Colour
22088911-00	CLD CELL	0,97	LED COB-2440lm-3000K-35°-CRI 93	26 W	BIANCO
22087839-09	CLD CELL-E	1,00	LED COB-2573lm-3000K-18°-CRI 93	0 W	NERO
22087839-1241	CLD CELL-D-D	1,00		0 W	NERO
22087839-68	CLD CELL	1,00	LED COB-2754lm-4000K-18°-CRI 93	0 W	NERO
22087839-6809	CLD CELL-E	1,00	LED COB-2754lm-4000K-18°-CRI 93	0 W	NERO
22087839-6841	CLD CELL-D-D	1,00	LED COB-2754lm-4000K-18°-CRI 93	0 W	NERO
22088930-00	CLD CELL	1,00	LED COB-2440lm-3000K-35°-CRI 93	0 W	NERO
22088930-09	CLD CELL-E	1,00	LED COB-2440lm-3000K-35°-CRI 93	0 W	NERO
22088930-1241	CLD CELL-D-D	1,00	LED COB-2440lm-3000K-35°-CRI 93	0 W	NERO
2288930-68	CLD CELL	1,00	LED COB-2610lm-4000K-35°-CRI 93	0 W	NERO
22088930-6809	CLD CELL-E	1,00	LED COB-2610lm-4000K-35°-CRI 93	0 W	NERO
22088930-6841	CLD CELL-D-D	1,00	LED COB-2610lm-4000K-35°-CRI 93	0 W	NERO

The reported luminous flux is the flux emitted by the light source with a tolerance of  $\pm 10\%$  compared to the indicated value. The W tot column indicates the total wattage absorbed by the system without exceeding 10% of the indicated